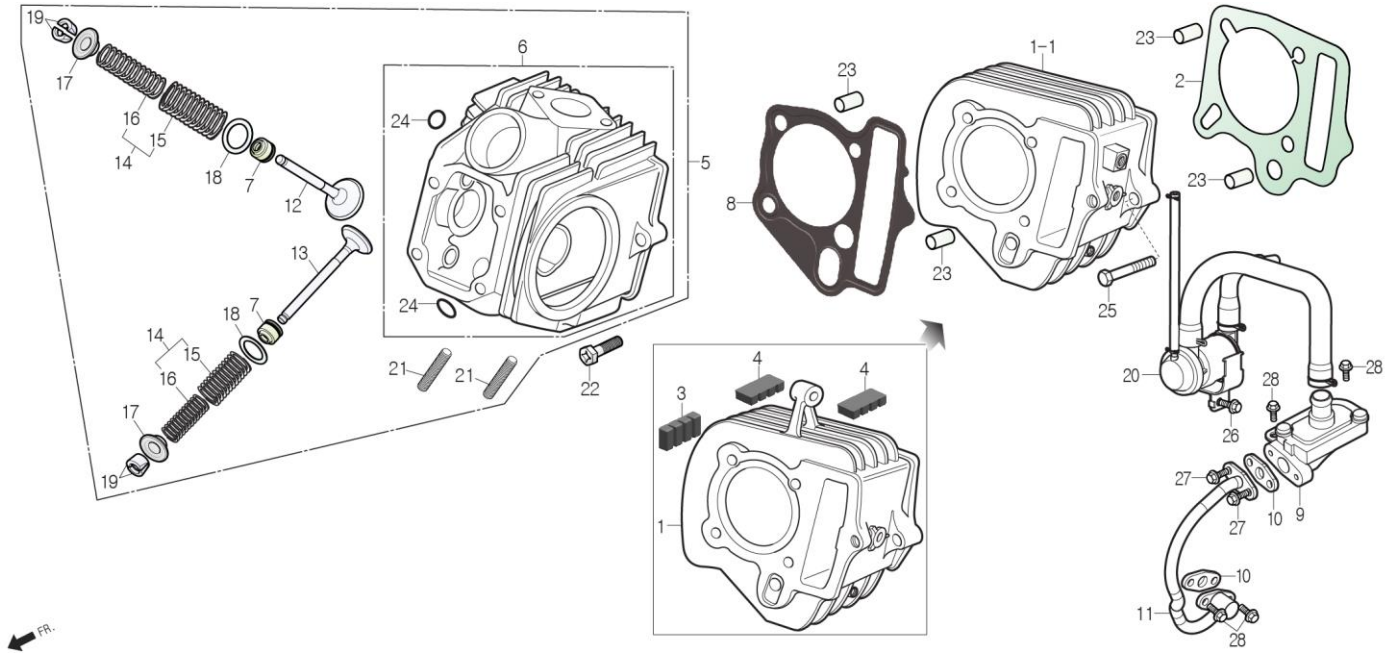


E-02

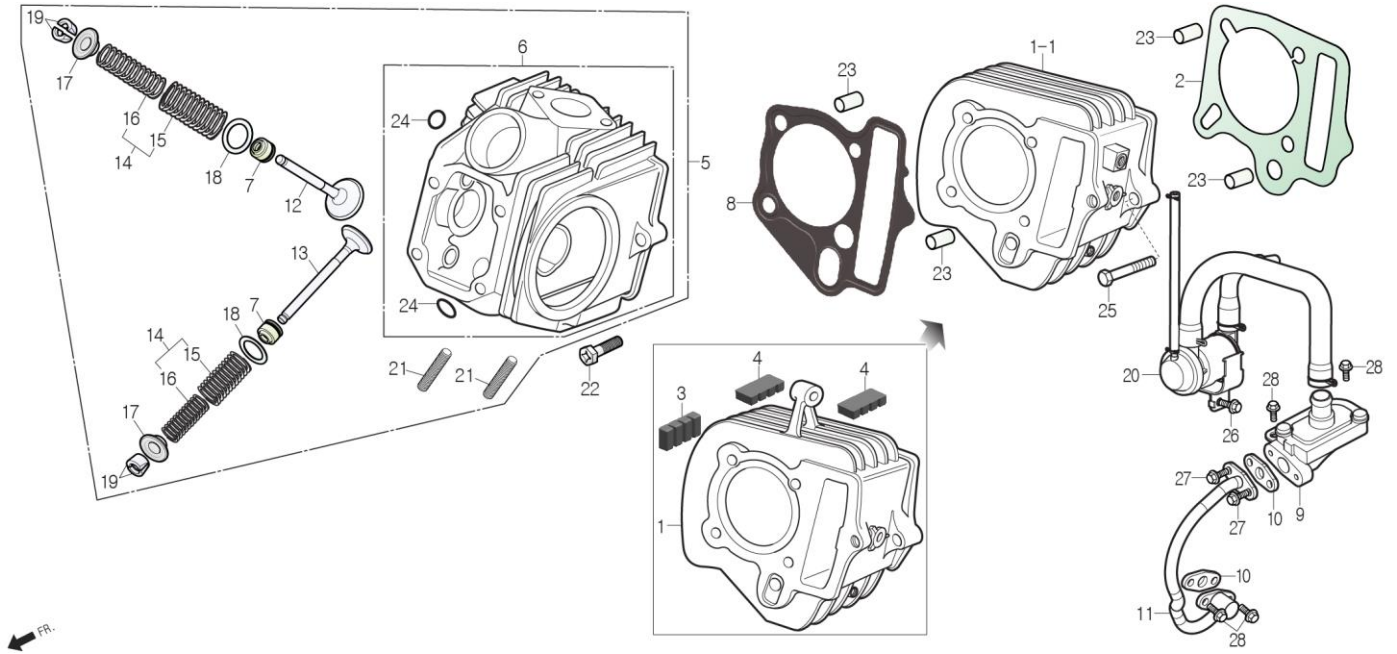
CYLINDER / CYLINDER HEAD / VALVE



Service item	FRT	Ref No.	Part No.	Description	QTY	A/S	Exch	Start Date	End Date	Start FRM.No	End FRM.No
CYLINDER	1.4	1	12100-CB4-0000	CYLINDER COMP.	1	Y	N	20030320	20040527	KMYCB4BLS3C000001	KMYCB4BLS5C001988
		1-1	12100-CB4-1000	CYLINDER COMP.	1	Y		20040528		KMYCB4BLS5C001989	
GASKET, CYLINDER	1.3	2	12191-CB4-RH00	GASKET, CYLINDER	1	Y		20030320		KMYCB4BLS3C000001	
		3	12195-CB4-0000	RUBBER A, INSERT	1	N		20030320	20040527	KMYCB4BLS3C000001	KMYCB4BLS5C001988
HEAD COMP., CYLINDER	1.6	4	12196-CB4-0000	RUBBER B, INSERT	2	N		20030320	20040527	KMYCB4BLS3C000001	KMYCB4BLS5C001988
		5	1220A-CB4-0000	HEAD ASS'Y, CYLINDER	1	Y	N	20030320	20041227	KMYCB4BLS3C000001	KMYCB4BLS5C002013
SEAL, VALVE STEM	1.2		1220A-CB4-0010	HEAD ASS'Y, CYLINDER	1	Y	N	20041228	20050323	KMYCB4BLS5C002014	KMYCB4BLS5C002023
			1220A-CB4-RZ00	HEAD ASS'Y, CYLINDER	1	Y	N	20050324	20060424	KMYCB4BLS5C002024	KMYCB4BLS6C002516
GUIDE, VALVE (INCLUDE LEAMING) (ADD 0.2 FOR EACH) (EXCEPTION VALVE REFACING) (ADD MORE 0.2 IF REFORMED)	1.4		1220A-CB4-RZ10	HEAD ASS'Y, CYLINDER	1	Y		20060425		KMYCB4BLS6C002517	
		6	12200-CB4-0000	HEAD COMP., CYLINDER	1	N	N	20030320	20041227	KMYCB4BLS3C000001	KMYCB4BLS5C002013
			12200-CB4-0010	HEAD COMP., CYLINDER	1	N	N	20041228	20050323	KMYCB4BLS5C002014	KMYCB4BLS5C002023
			12200-CB4-RZ00	HEAD COMP., CYLINDER	1	Y	N	20050324	20060424	KMYCB4BLS5C002024	KMYCB4BLS6C002516
			12200-CB4-RZ10	HEAD COMP., CYLINDER	1	Y		20060425		KMYCB4BLS6C002517	
GASKET, CYLINDER HEAD	1.0	7	12209-BA6-0050	SEAL, VALVE STEM	2	Y		20030320		KMYCB4BLS3C000001	
		8	12251-CB4-0000-M1	GASKET, CYLINDER HEAD	1	N	Y	20030320	20160807	KMYCB4BLS3C000001	KMYCB4BLSHC005386
			12251-CB4-0000-M2	GASKET, CYLINDER HEAD	1	Y		20160808		KMYCB4BLSHC005387	
BOLT, STUD 6x32 (ADD 0.1 FOR EACH)	0.3	9	14200-CB4-RZ00	VALVE ASS'Y, SAI REED	1	Y		20050324		KMYCB4BLS5C002024	
		10	14291-SA2-RZ00	GASKET, SAI PIPE	2	Y		20050324		KMYCB4BLS5C002024	
VALVE (ADD 0.2 FOR EACH) (INCLUDE REFACING)	1.3	11	14320-CB4-RZ00	PIPE COMP., SAI	1	Y		20050324		KMYCB4BLS5C002024	
		12	14711-CB2-9120-M1	VALVE, INLET	1	N	Y	20030320	20140601	KMYCB4BLS3C000001	KMYCB4BLSFC005053
			14711-CB2-0100	VALVE, INLET	1	Y		20140602		KMYCB4BLSFC005054	
SPRING, VALVE INNER	1.2	13	14721-CB2-0100	VALVE, EXHAUST	1	Y		20030320		KMYCB4BLS3C000001	

E-02

CYLINDER / CYLINDER HEAD / VALVE



Service item	FRT	Ref No.	Part No.	Description	QTY	A/S	Exch	Start Date	End Date	Start FRM.No	End FRM.No
(ADD 0.1 FOR EACH)		14	1475A-CB2-9100-M1	SPRING SET, VALVE	2	Y		20030320		KMYCB4BLS3C000001	
(INCLUDE RELATIVE PARTS)		15	14751-CB2-9110-M1	SPRING, VALVE OUTER	2	N		20030320		KMYCB4BLS3C000001	
		16	14761-CB2-9110-M1	SPRING, VALVE INNER	2	N		20030320		KMYCB4BLS3C000001	
		17	14771-CD1-6800	RETAINER, VALVE SPRING	2	Y		20030320		KMYCB4BLS3C000001	
		18	14775-BA6-0000	SEAT, VALVE SPRING OUTER	2	Y		20030320		KMYCB4BLS3C000001	
		19	14781-BA6-0000	COTTER, VALVE	4	Y		20030320		KMYCB4BLS3C000001	
		20	17300-CB4-RZ00	AIR FILTER ASS'Y, SECONDARY	1	Y		20050324		KMYCB4BLS5C002024	
		21	90033-CB2-0200	BOLT, STUD, 6x32	2	Y		20030320		KMYCB4BLS3C000001	
		22	90082-CB2-0100	BOLT, HS, 6mm	1	Y		20030320		KMYCB4BLS3C000001	
		23	90701-CB2-0000	PIN, DOWEL SPECIAL, 8x14	4	Y		20030320		KMYCB4BLS3C000001	
		24	91305-CB2-1580	O-RING, 9.0x1.6	2	N		20030320		KMYCB4BLS3C000001	
		25	S2301-06030-0A	BOLT, SLOTTED, 6x30	1	Y		20030320		KMYCB4BLS3C000001	
		26	S5701-06016-00	BOLT, FLANGE, 6x16	1	Y		20030320		KMYCB4BLS3C000001	
		27	S6001-06014-00	BOLT, FLANGE, SH.6x14	2	Y		20050324		KMYCB4BLS5C002024	
		28	S6001-06016-00	BOLT, FLANGE, SH.6x16	4	Y		20030320		KMYCB4BLS3C000001	