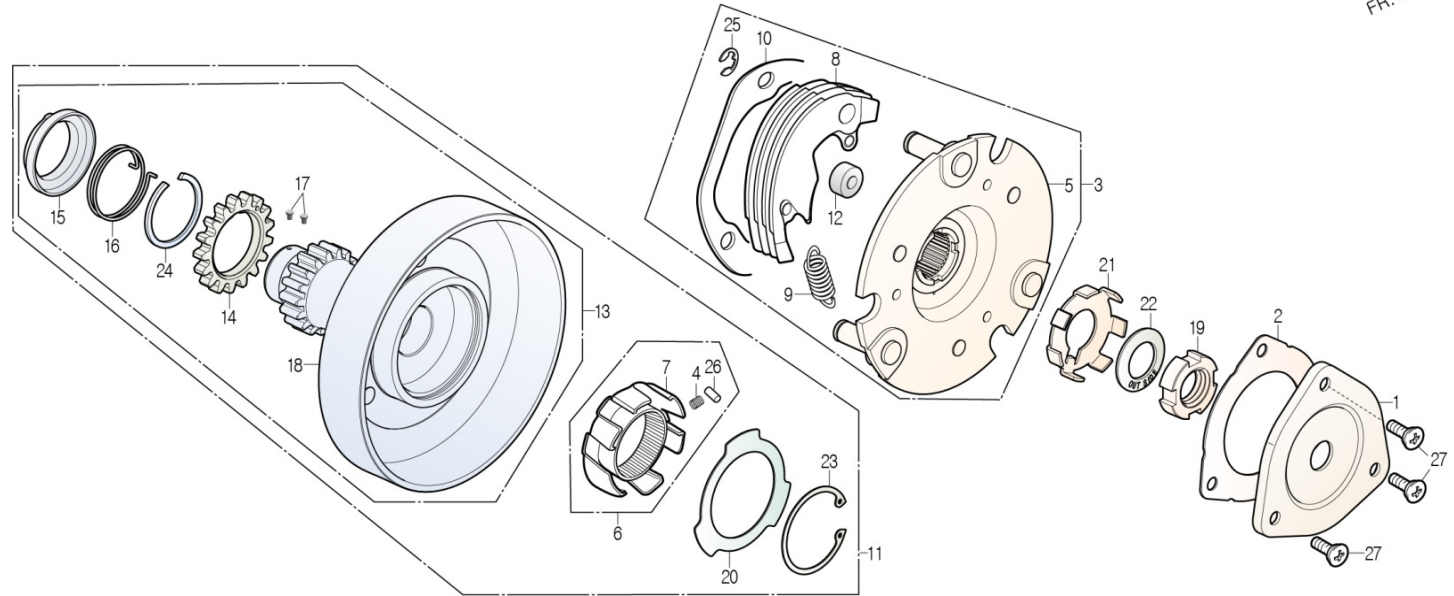


# E-06

## ONE WAY CLUTCH

[Set Applied Information]

22600-CB4-0030 + 13000-CB4-0020



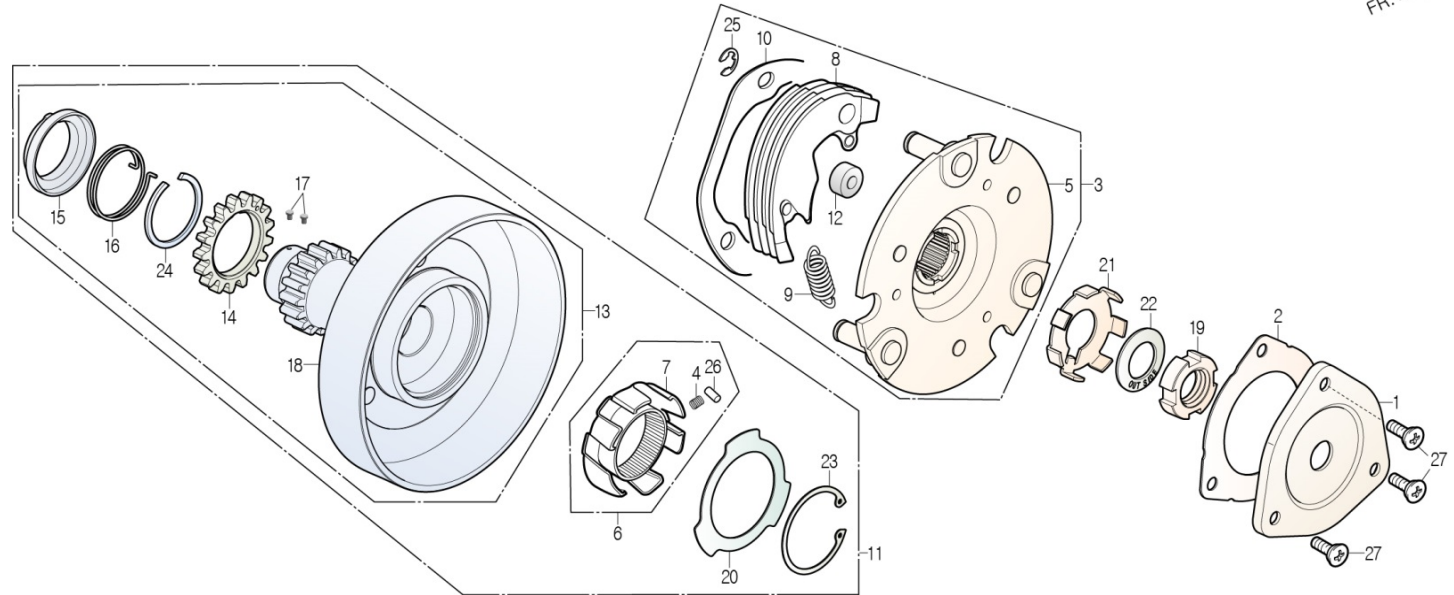
Service item	FRT	Ref No.	Part No.	Description	QTY	A/S	Exch	Start Date	End Date	Start FRM.No	End FRM.No
COVER, OIL FILTER	0.6	1	15431-CB2-0100	COVER, OIL FILTER	1	Y		20030320		KMYCB4BLS3C000001	
		2	15439-CB4-RH00	GASKET, OIL FILTER	1	N	Y	20030320	20161222	KMYCB4BLS3C000001	KMYCB4BLSHC005519
PLATE COMP., PRIMARY DRIVE	0.8		15439-CB4-RH10	GASKET, OIL FILTER	1	Y		20161223		KMYCB4BLSHC005520	
.INNER COMP., ONE WAY CLUTCH (INCLUDE RELATIVE PARTS)		3	22600-CB4-0010	PLATE ASS'Y, PRMRY DRIVE	1	N	Y	20030320	20070514	KMYCB4BLS3C000001	KMYCB4BLS8C003269
			22600-CB4-0020	PLATE ASS'Y, PRMRY DRIVE	1	N	N	20070515	20090625	KMYCB4BLS8C003270	KMYCB4BLSAC003396
.WEIGHT, PRIMARY CLUTCH (ONE OR ALL)		4	22600-CB4-0030	PLATE ASS'Y, PRMRY DRIVE	1	Y		20090626		KMYCB4BLSAC003397	
			22606-CB2-9100	SPRING, ONE-WAY RETAINER	6	N		20030320		KMYCB4BLS3C000001	
.OUTER COMP., PRIMARY CLUTCH		5	22610-CB2-9110	PLATE COMP., PRIMARY DRIVE	1	N	Y	20030320	20070514	KMYCB4BLS3C000001	KMYCB4BLS8C003269
.SUB GEAR (INCLUDE RELATIVE PARTS)			22610-CB2-9120	PLATE COMP., PRIMARY DRIVE	1	N	N	20070515	20080109	KMYCB4BLS8C003270	KMYCB4BLS8C003290
			22610-CB2-9130	PLATE COMP., PRIMARY DRIVE	1	N	N	20080110	20090625	KMYCB4BLS8C003291	KMYCB4BLSAC003396
			22610-CB2-9140	PLATE COMP., PRIMARY DRIVE	1	N		20090626		KMYCB4BLSAC003397	
		6	2263A-CB2-0000	RETAINER ASS'Y, ONE-WAY CLUTCH	1	Y		20030320		KMYCB4BLS3C000001	
		7	22630-CB2-0000	INNER COMP., ONE-WAY CLUTCH	1	N		20030320		KMYCB4BLS3C000001	
		8	22631-CB2-9130	WEIGHT, PRIMARY CLUTCH	3	N		20030320		KMYCB4BLS3C000001	
		9	22641-CB2-9200	SPRING, PRIMARY CLUTCH	3	N		20030320		KMYCB4BLS3C000001	
		10	22644-CB4-0000	PLATE, PRIMARY CLUTCH SIDE	1	N		20030320		KMYCB4BLS3C000001	
		11	22660-CB4-0000	OUTER ASS'Y, PRIMURY CLUTCH	1	N	Y	20030320	20080930	KMYCB4BLS3C000001	KMYCB4BLS9C003305
			22660-CB4-0010	OUTER ASS'Y, PRIMURY CLUTCH	1	Y		20081001		KMYCB4BLS9C003306	
		12	22804-CB2-0000	RUBBER, CLUTCH DAMPER	3	N		20030320		KMYCB4BLS3C000001	
		13	23120-CB4-0000	GEAR COMP., PRIMARY DRIVE	1	N	Y	20030320	20080930	KMYCB4BLS3C000001	KMYCB4BLS9C003305
			23120-CB4-0010	GEAR COMP., PRIMARY DRIVE	1	Y		20081001		KMYCB4BLS9C003306	
		14	23122-CB4-0000	GEAR, SUB	1	N		20030320		KMYCB4BLS3C000001	

# E-06

## ONE WAY CLUTCH

[Set Applied Information]

22600-CB4-0030 + 13000-CB4-0020



Service item	FRT	Ref No.	Part No.	Description	QTY	A/S	Exch	Start Date	End Date	Start FRM.No	End FRM.No
		15	23123-CB4-0000	COLLAR, SIDE	1	N		20030320		KMYCB4BLS3C000001	
		16	23124-CB4-0000	SPRING, SUB GEAR	1	N		20030320		KMYCB4BLS3C000001	
		17	23125-CB2-9100	PIN, STOPPER	2	N		20030320		KMYCB4BLS3C000001	
		18	23130-CB4-0000	SUB COMP., PRIMARY DRIVE GEAR	1	N	Y	20030320	20080930	KMYCB4BLS3C000001	KMYCB4BLS9C003305
			23130-CB4-0010	SUB COMP., PRIMARY DRIVE GEAR	1	N		20081001		KMYCB4BLS9C003306	
		19	90231-CB2-0100	NUT, LOCK, 14mm	1	Y		20030320		KMYCB4BLS3C000001	
		20	90401-CB2-0000	WASHER, 30x45x0.8	1	N		20030320		KMYCB4BLS3C000001	
		21	90431-CB2-9100	WASHER, LOCK	1	Y		20030320		KMYCB4BLS3C000001	
		22	90432-CB2-0000	WASHER B, LOCK	1	Y		20030320		KMYCB4BLS3C000001	
		23	90455-CB2-0000	CIR CLIP, INTERNAL, 45mm	1	N		20030320		KMYCB4BLS3C000001	
		24	90464-CB2-7010-M1	CIRCLIP, INTERNAL, 23mm	1	N		20030320		KMYCB4BLS3C000001	
		25	90605-BA6-7200	CIRCLIP, 7mm	3	N		20030320		KMYCB4BLS3C000001	
		26	91101-CB2-0000	ROLLER, 5x8	6	N		20030320		KMYCB4BLS3C000001	
		27	S3500-05008-0A	SCREW, PAN, 5x8	3	Y		20030320		KMYCB4BLS3C000001	