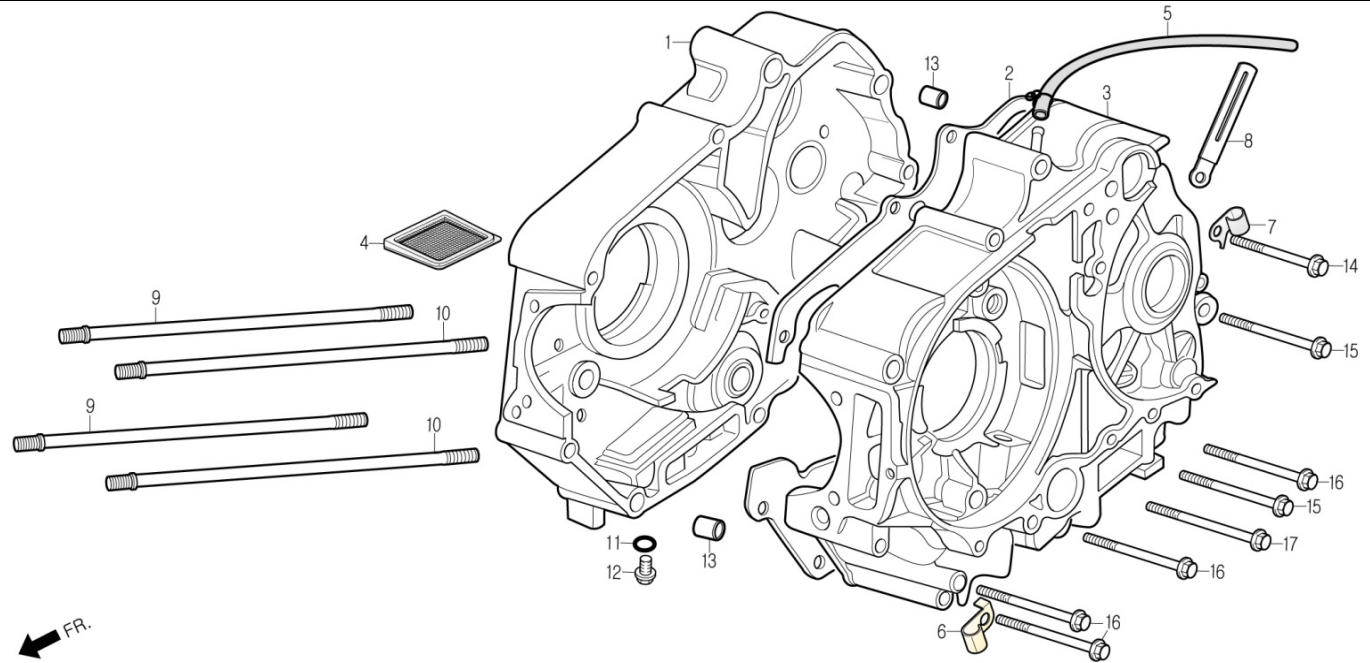


E-10

CRANK CASE



[Set Applied Information]

11100-CB4-0010 + 11200-CB4-0020 + 11191-CB4-RH00

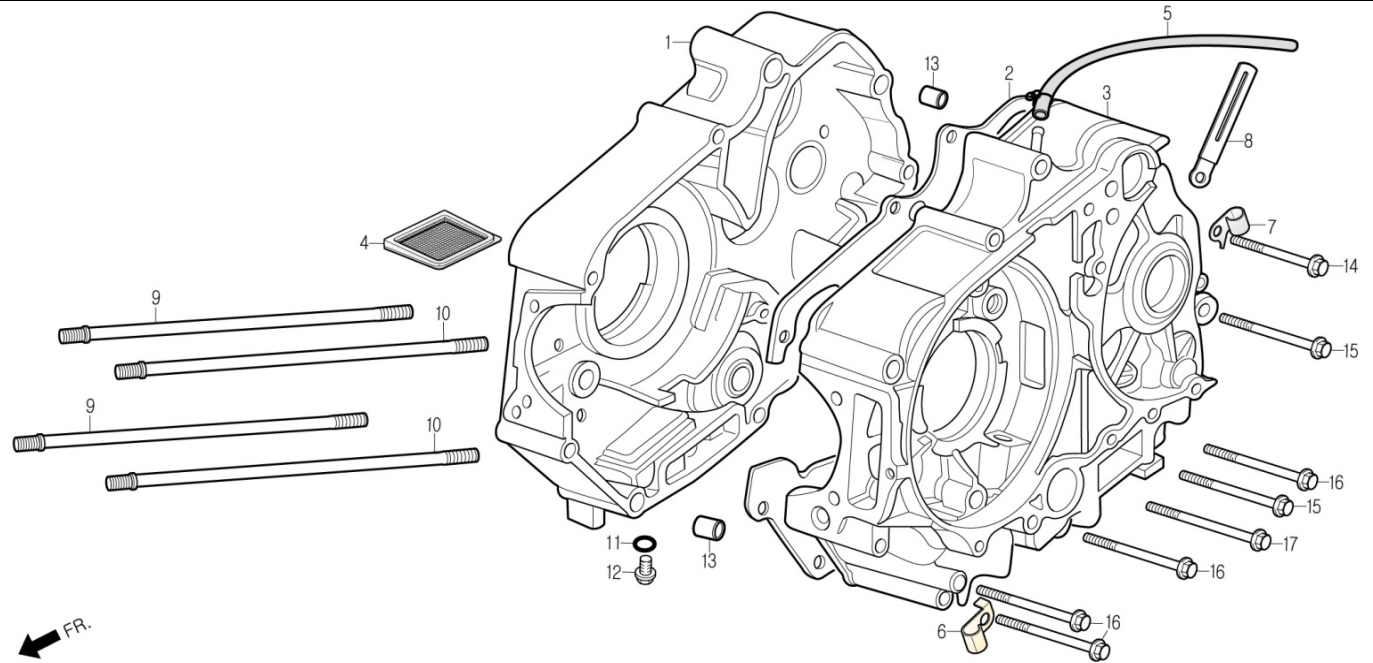
Service item	FRT	Ref No.	Part No.	Description	QTY	A/S	Exch	Start Date	End Date	Start FRM.No	End FRM.No
CASE COMP., RH.CRANK	3.5	1	11100-CB4-0000	CASE COMP., RH.CRANK	1	N	Y	20030320	20120321	KMYCB4BLS3C000001	KMYCB4BLS3C004665
			11100-CB4-0010	CASE COMP., RH.CRANK	1	Y		20120322		KMYCB4BLS3C004666	
GASKET, CRANK CASE	3.4	2	11191-CB4-RH00	GASKET, CRANK CASE	1	N	Y	20030320	20120501	KMYCB4BLS3C000001	KMYCB4BLS3C004679
			11191-CB4-RH10	GASKET, CRANK CASE	1	Y		20120502		KMYCB4BLS3C004680	
CASE COMP., LH.CRANK	3.8	3	11200-CB4-0000	CASE COMP., LH.CRANK	1	N	Y	20030320	20050331	KMYCB4BLS3C000001	KMYCB4BLS5C002044
			11200-CB4-0010	CASE COMP., LH.CRANK	1	N	Y	20050401	20120321	KMYCB4BLS5C002045	KMYCB4BLS3C004665
BOLT, CYLINDER STUD (ADD 0.1 FOR EACH)	1.2	9	11200-CB4-0020	CASE COMP., LH.CRANK	1	Y		20120322		KMYCB4BLS3C004666	
		4	15421-CB2-0100	SCREEN, OIL FILTER	1	N	Y	20030320	20030708	KMYCB4BLS3C000001	KMYCB4BLS3C000661
			15421-CB2-0110	SCREEN, OIL FILTER	1	Y		20030709		KMYCB4BLS3C000662	
		5	15761-CB2-6120	TUBE, BREATHER	1	Y		20030320		KMYCB4BLS3C000001	
		6	16236-CB2-0100	CLAMPER, OVER FLOW PIPE	1	Y		20030320		KMYCB4BLS3C000001	
		7	16236-CB2-0000	CLAMPER, TUBE	1	Y		20030320		KMYCB4BLS3C000001	
		8	32964-CB3-0000	CLAMPER, CORD	1	Y		20030320	20040525	KMYCB4BLS3C000001	KMYCB4BLS5C001988
		9	90031-CB4-0000	BOLT, CYLINDER STUD, 6x210x7	2	Y		20030320		KMYCB4BLS3C000001	
		10	90032-CB4-0000	BOLT B, CYLINDER STUD, 6x214.5x7	2	Y		20030320		KMYCB4BLS3C000001	
		11	90407-BA6-0000	PACKING, DRAIN COCK, 12.5x20	1	Y		20030320		KMYCB4BLS3C000001	
		12	S2800-12000	BOLT, DRAIN PLUG, 12mm	1	N	Y	20030320	20161031	KMYCB4BLS3C000001	KMYCB4BLSHC005486
			90470-CB4-0000	BOLT, DRAIN PLUG, 12mm	1	Y		20161101		KMYCB4BLSHC005487	
		13	S4301-10160	PIN, DOWEL, 10x16	2	Y		20030320		KMYCB4BLS3C000001	
		14	S6001-06050-00	BOLT, FLANGE, SH.6x50	1	Y	N	20030320	20050323	KMYCB4BLS3C000001	KMYCB4BLS5C002023
			S6001-06050-07	BOLT, FLANGE, SH.6x50	1	Y		20050324		KMYCB4BLS5C002024	
		15	S6001-06060-00	BOLT, FLANGE, SH.6x60	2	Y		20030320		KMYCB4BLS3C000001	

E-10

CRANK CASE

[Set Applied Information]

11100-CB4-0010 + 11200-CB4-0020 + 11191-CB4-RH00



Service item	FRT	Ref No.	Part No.	Description	QTY	A/S	Exch	Start Date	End Date	Start FRM.No	End FRM.No
		16	S6001-06065-00	BOLT, FLANGE, SH.6x65	4	Y		20030320		KMYCB4BLS3C000001	
		17	S6001-06070-00	BOLT, FLANGE, SH.6x70	1	Y		20030320		KMYCB4BLS3C000001	