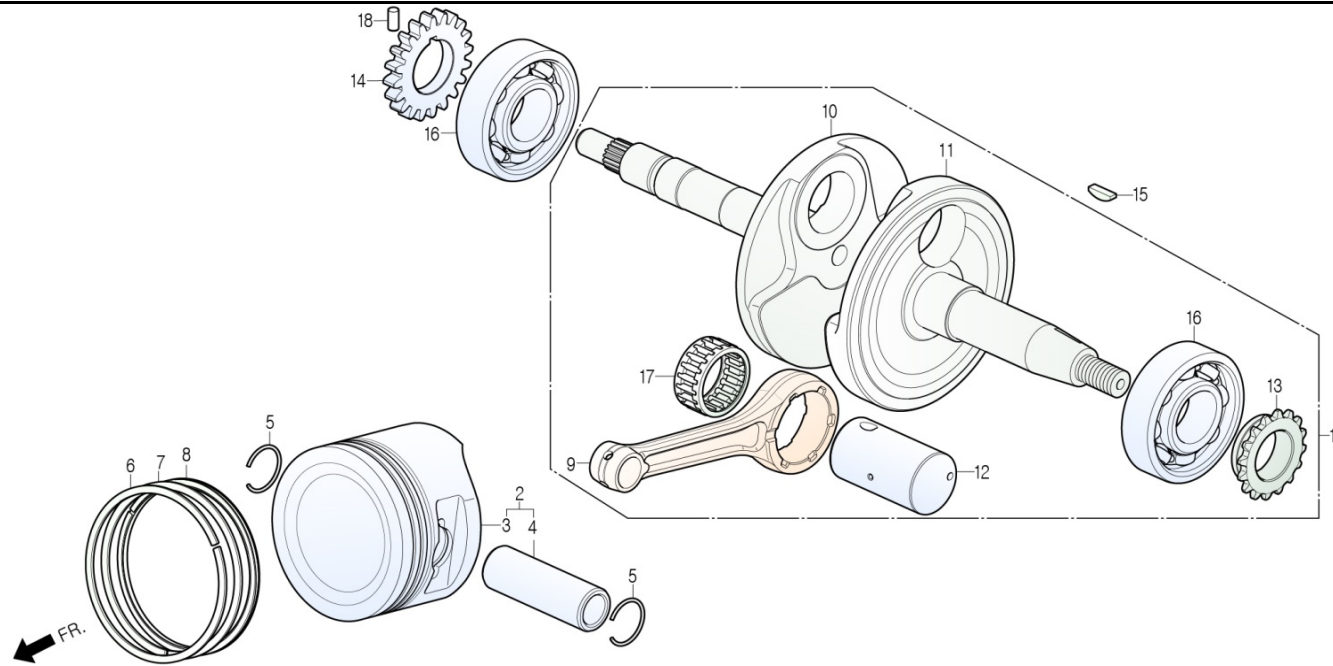


E-12

CRANK SHAFT / PISTON



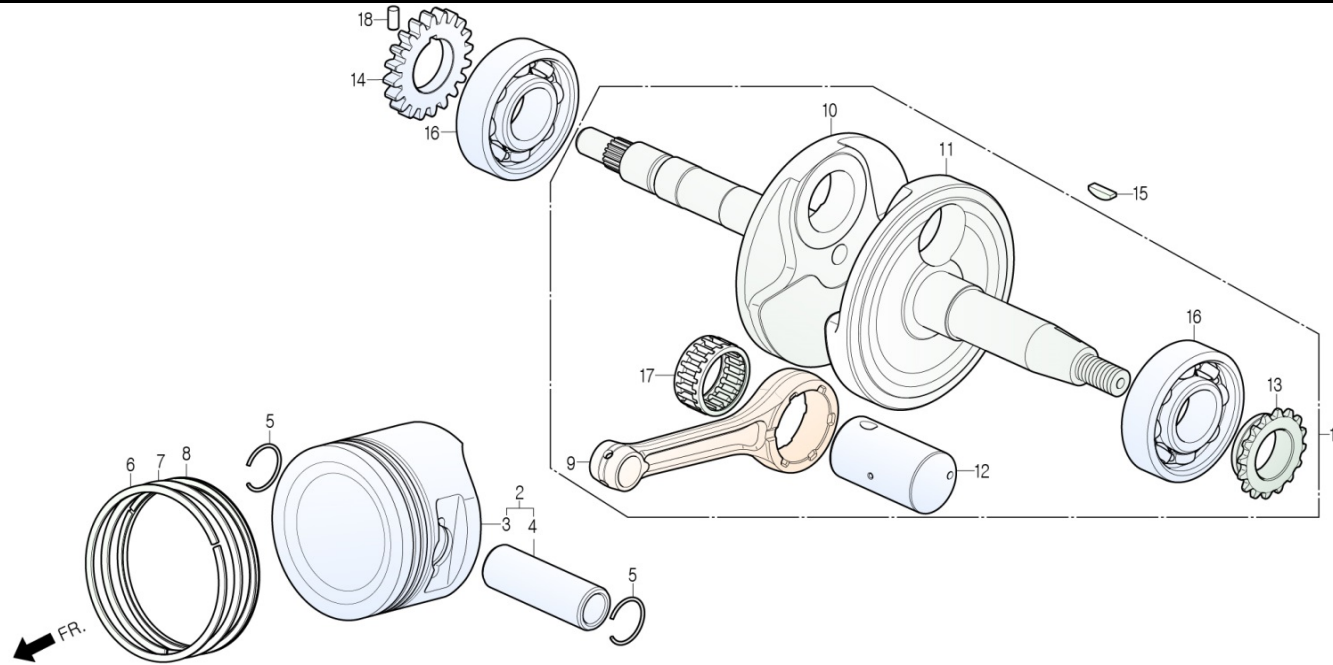
[셋트 적용 정보]

13000-CB4-0020 + 22600-CB4-0030
 13000-CB4-0030 + 11100-CB4-0010
 + 11280-CB4-0020
 13000-CB4-0040 + 15100-CB4-0020
 +15131-CB4-0020-M2

정비항목 Service item	FRT	Ref No.	부품번호	영문부품명	부 품 명	수 량	공 급 환	시작일	종료일	시작차대번호	종료차대번호	
SHAFT COMP., CRANK	3.8	1	13000-CB4-0000	SHAFT COMP., CRANK	크랭크 샤프트 콤프	1	N Y	20030320	20080114	KMYCB4BLS3C000001	KMYCB4BLS8C003290	
			13000-CB4-0010	SHAFT COMP., CRANK	크랭크 샤프트 콤프	1	N N	20080115	20090625	KMYCB4BLS8C003291	KMYCB4BLSAC003396	
PISTON SET .PISTON	1.5		13000-CB4-0020	SHAFT COMP., CRANK	크랭크 샤프트 콤프	1	N Y	20090626	20120517	KMYCB4BLSAC003397	KMYCB4BLSDC004704	
			13000-CB4-0030	SHAFT COMP., CRANK	크랭크 샤프트 콤프	1	Y N	20120518	20150331	KMYCB4BLSDC004705	KMYCB4BLSFC005177	
			13000-CB4-0040	SHAFT COMP., CRANK	크랭크 샤프트 콤프	1	Y	20150401		KMYCB4BLSFC005178		
RING SET, PISTON	1.5	2	1310A-CB4-0000	PISTON SET	피스톤 셋트	1	N Y	20070418	20130831	KMYCB4BLS7C003070	KMYCB4BLSEC004978	
			1310A-CB4-0000-M1	PISTON SET	피스톤 셋트	1	Y	20130901		KMYCB4BLSEC004979		
PIN, PISTON	1.4	3	13101-CB4-0000	PISTON	피스톤	1	N Y	20070418	20130831	KMYCB4BLS7C003070	KMYCB4BLSEC004978	
			13101-CB4-0000-M1	PISTON	피스톤	1	N	20130901		KMYCB4BLSEC004979		
ROD, CONNECTING (INCLUDE RELATIVE PARTS)	4	4	13111-CB2-0000	PIN, PISTON	피스톤 핀	1	N Y	20070418	20130831	KMYCB4BLS7C003070	KMYCB4BLSEC004978	
			13111-CB4-0000-M1	PIN, PISTON	피스톤 핀	1	N	20130901		KMYCB4BLSEC004979		
BEARING, RADIAL BALL 6304 (ADD 0.2 FOR EACH)	4.0	5	13115-CB2-0000	PIN CLIP, PISTON	피스톤 핀 클립	2	Y	20030320		KMYCB4BLS3C000001		
			6	13121-CB2-0030	RING, PISTON TOP	피스톤 톱 링	1	Y	20030320		KMYCB4BLS3C000001	
GEAR, OIL PUMP DRIVE .ROLLER 3x6.6	1.0	8	13131-CB2-0030	RING, PISTON 2ND	피스톤 2ND 링	1	Y	20030320		KMYCB4BLS3C000001		
			13141-CB2-0130	RING, PISTON OIL	피스톤 오일 링	1	Y	20030320		KMYCB4BLS3C000001		
		9	13201-CB4-0000-H1	ROD, CONNECTING	커넥팅 로드	1	N N	20030320	20120517	KMYCB4BLS3C000001	KMYCB4BLSDC004704	
			13201-CB4-0010-H1	ROD, CONNECTING	커넥팅 로드	1	N	20120518		KMYCB4BLSDC004705		
			10	13310-CB4-0000-H1	SHAFT COMP., RH.CRANK	RH. 크랭크 샤프트 콤프	1	N N	20030320	20080114	KMYCB4BLS3C000001	KMYCB4BLS8C003290
			13310-CB4-0010-H1	SHAFT COMP., RH.CRANK	RH. 크랭크 샤프트 콤프	1	N Y	20080115	20090625	KMYCB4BLS8C003291	KMYCB4BLSAC003396	
			13310-CB4-0020-H1	SHAFT COMP., RH.CRANK	RH. 크랭크 샤프트 콤프	1	N N	20090626	20120517	KMYCB4BLSAC003397	KMYCB4BLSDC004704	
			13310-CB4-0030-H1	SHAFT COMP., RH.CRANK	RH. 크랭크 샤프트 콤프	1	N	20120518		KMYCB4BLSDC004705		
		11	13321-CB4-0000-H1	SHAFT, LH.CRANK	LH. 크랭크 샤프트	1	N N	20030320	20120517	KMYCB4BLS3C000001	KMYCB4BLSDC004704	

E-12

CRANK SHAFT / PISTON



[셋트 적용 정보]

13000-CB4-0020 + 22600-CB4-0030
 13000-CB4-0030 + 11100-CB4-0010
 + 11280-CB4-0020
 13000-CB4-0040 + 15100-CB4-0020
 +15131-CB4-0020-M2

정비항목 Service item	FRT	Ref No.	부품번호	영문부품명	부 품 명	수 량	공 급 환	시작일	종료일	시작차대번호	종료차대번호
			13321-CB4-0010-H1	SHAFT, LH.CRANK	LH. 크랭크 샤프트	1	N	20120518		KMYCB4BLSDC004705	
		12	13381-CB2-3000	PIN, CRANK	크랭크 핀	1	N	20030320		KMYCB4BLS3C000001	
			13381-CB4-0000-M1	PIN, CRANK	크랭크 핀	1	N	20120518	20150331	KMYCB4BLSDC004705	KMYCB4BLSFC005177
			13381-CB4-0010-M1	PIN, CRANK	크랭크 핀	1	N	20150401		KMYCB4BLSFC005178	
		13	14311-CB4-0000	SPROCKET, TIMMING	타이밍 스프로킷	1	N	20030320		KMYCB4BLS3C000001	
		14	15131-CB4-0000	GEAR, OIL PUMP DRIVE	오일 펌프 드라이브 기어	1	N	20030320	20030501	KMYCB4BLS3C000001	KMYCB4BLS3C000362
			15131-CB4-0010	GEAR, OIL PUMP DRIVE	오일 펌프 드라이브 기어	1	N	20030502	20060705	KMYCB4BLS3C000363	KMYCB4BLS7C002627
			15131-CB4-0000-M1	GEAR, OIL PUMP DRIVE	오일 펌프 드라이브 기어	1	Y	20060706	20150331	KMYCB4BLS7C002628	KMYCB4BLSFC005177
			15131-CB4-0020-M2	GEAR, OIL PUMP DRIVE	오일 펌프 드라이브 기어	1	Y	20150401		KMYCB4BLSFC005178	
		15	90741-BA6-9600	KEY, WOODRUFF, 25x14x4	우드러프 키 25x14x4	1	Y	20030320		KMYCB4BLS3C000001	
		16	91001-CB3-7600	BEARING, BALL RADIAL 6304	볼 베어링 6304	2	N	20030320	20170808	KMYCB4BLS3C000001	KMYCB4BLSJC005559
			91001-CB4-0000-M1	BEARING, RADIAL BALL(6304)	레디얼 볼 베어링(6304)	2	Y	20170809		KMYCB4BLSJC005560	
		17	91101-CB2-0030-H1	BEARING, CONNECTING ROD (RED)	커넥팅 로드 베어링 (RED)	1	N	20030320	20031102	KMYCB4BLS3C000001	KMYCB4BLS4C001079
			91101-CB2-0040-H1	BEARING, CONNECTING ROD (RED)	커넥팅 로드 베어링 (RED)	1	N	20031103	20080630	KMYCB4BLS4C001080	KMYCB4BLS9C003294
			91101-CB2-0030-H1	BEARING, CONNECTING ROD (RED)	커넥팅 로드 베어링 (RED)	1	N	20080701	20120517	KMYCB4BLS9C003295	KMYCB4BLSDC004704
			91101-SAO-0000	BRG, CON-ROD	콘로드 베어링	1	N	20120518		KMYCB4BLSDC004705	
		18	S6220-30066	ROLLER, 3x6.6	롤러 3x6.6	1	N	20030320	20040630	KMYCB4BLS3C000001	KMYCB4BLS5C001988
			S6220-30062	ROLLER, 3x6.2	롤러 3x6.2	1	Y	20040701		KMYCB4BLS5C001989	