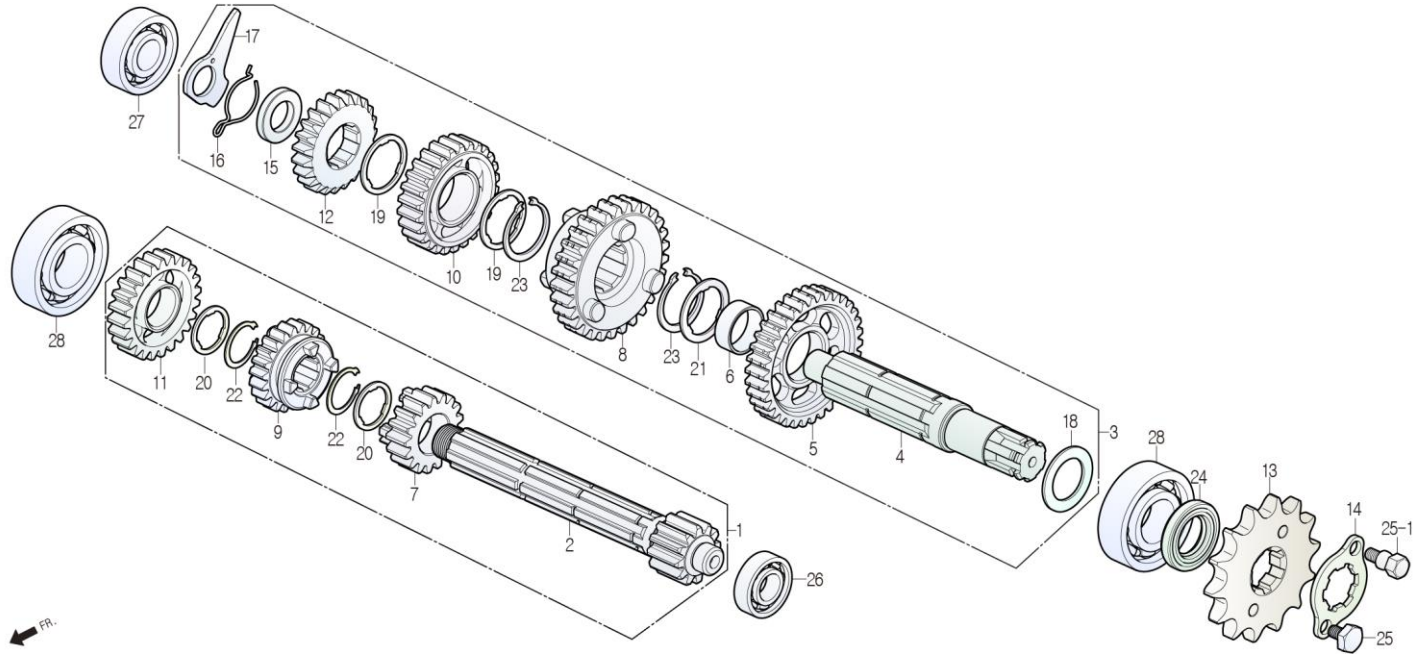


# E-13

## TRANSMISSION



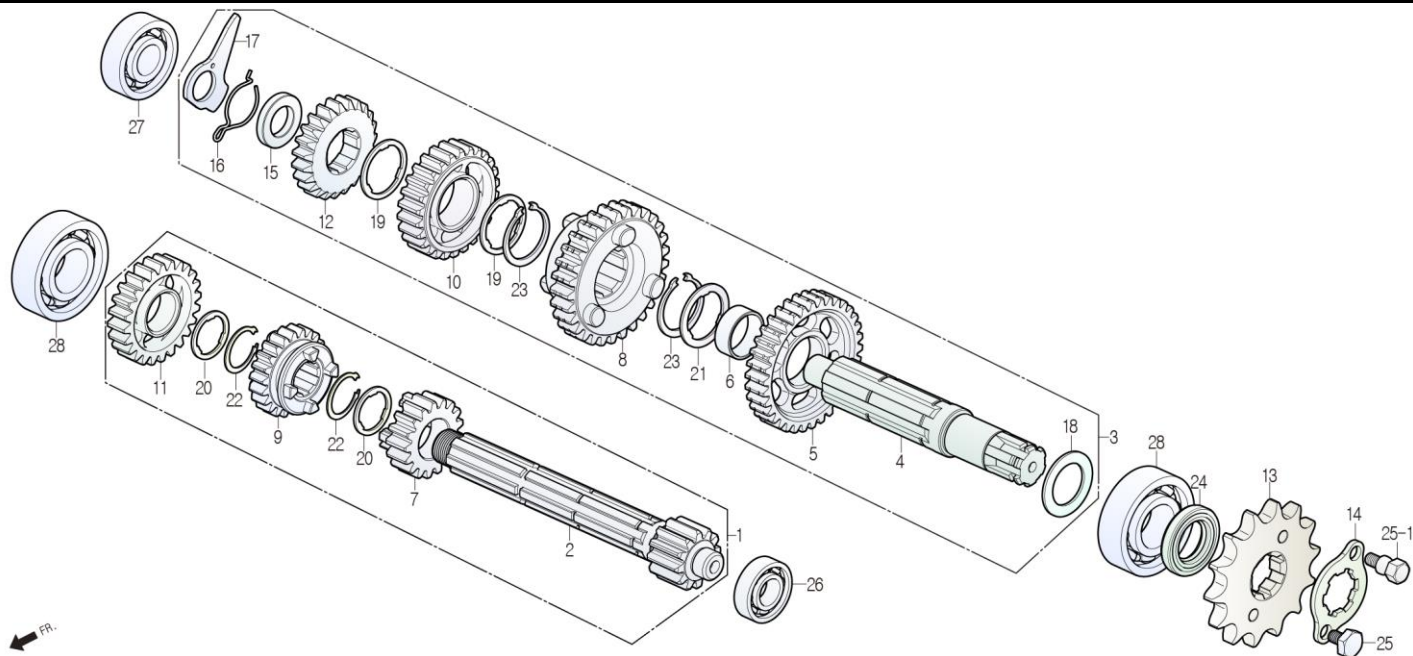
**[Set Applied Information]**

23421-CB4-0000 + 23441-CB4-0000

Service item	FRT	Ref No.	Part No.	Description	QTY	A/S	Exch	Start Date	End Date	Start FRM.No	End FRM.No
SHAFT ASS'Y, MAIN (INCLUDE RELATIVE PARTS)	3.6	1	2321A-CB3-1000	SHAFT ASS'Y, MAIN	1	N	Y	20030320	20110821	KMYCB4BLS3C000001	KMYCB4BLS3C000001
			2321A-CB3-1010	SHAFT ASS'Y, MAIN	1	N	Y	20110822	20150630	KMYCB4BLS3C000001	KMYCB4BLS3C000001
			2321A-CB3-1020	SHAFT ASS'Y, MAIN	1	Y		20150701		KMYCB4BLS3C000001	KMYCB4BLS3C000001
.COUNTER SHAFT (INCLUDE RELATIVE PARTS) (WHEN SERVICING COMP., UNIT FRT is 3.8)	2	23211-CB2-9100	SHAFT, MAIN 12T	1	N	Y	20080101	20150630	KMYCB4BLS3C000001	KMYCB4BLS3C000001	
			23211-CB4-0000-M1	SHAFT, MAIN 12T	1	Y		20150701		KMYCB4BLS3C000001	KMYCB4BLS3C000001
		3	2322A-CB4-0000	SHAFT ASS'Y, COUNTER	1	N	Y	20030320	20121211	KMYCB4BLS3C000001	KMYCB4BLS3C000001
SPROCKET, DRIVE	0.3		2322A-CB4-0010	SHAFT ASS'Y, COUNTER	1	N	Y	20121212	20150630	KMYCB4BLS3C000001	KMYCB4BLS3C000001
			2322A-CB4-0020	SHAFT ASS'Y, COUNTER	1	Y		20150701		KMYCB4BLS3C000001	KMYCB4BLS3C000001
		4	23221-CB4-0000	SHAFT, COUNTER	1	N	Y	20070418	20150630	KMYCB4BLS7C003070	KMYCB4BLS7C003070
			23221-CB4-0000-M1	SHAFT, COUNTER	1	Y		20150701		KMYCB4BLS7C003070	KMYCB4BLS7C003070
		5	23421-CB2-9100	GEAR, C-1 34T	1	N	N	20030320	20131211	KMYCB4BLS3C000001	KMYCB4BLS3C000001
			23421-CB4-0000	GEAR, C-1 34T	1	N	Y	20121212	20150630	KMYCB4BLS3C000001	KMYCB4BLS3C000001
			23421-CB4-0000-M1	GEAR, C-1 34T	1	Y		20150701		KMYCB4BLS3C000001	KMYCB4BLS3C000001
		6	23422-CD1-7710	BUSH, 20x9	1	N		20030320		KMYCB4BLS3C000001	KMYCB4BLS3C000001
		7	23431-CB3-1100	GEAR, M-2 17T	1	N	Y	20030320	20110821	KMYCB4BLS3C000001	KMYCB4BLS3C000001
			23431-CB3-1110	GEAR, M-2 17T	1	N	Y	20110822	20150630	KMYCB4BLS3C000001	KMYCB4BLS3C000001
	23431-CB4-0000-M1	GEAR, M-2 17T	1	Y		20150701		KMYCB4BLS3C000001	KMYCB4BLS3C000001		
8	23441-CD1-7700	GEAR, C-2 29T	1	N	N	20030320	20121211	KMYCB4BLS3C000001	KMYCB4BLS3C000001		
	23441-CB4-0000	GEAR, C-2 29T	1	N	Y	20121212	20150630	KMYCB4BLS3C000001	KMYCB4BLS3C000001		
	23441-CB4-0000-M1	GEAR, C-2 29T	1	Y		20150701		KMYCB4BLS3C000001	KMYCB4BLS3C000001		
9	23451-CB3-1100	GEAR, M-3 22T	1	N	Y	20070418	20150630	KMYCB4BLS7C003070	KMYCB4BLS7C003070		
	23451-CB4-0000-M1	GEAR, M-3 22T	1	Y		20150701		KMYCB4BLS7C003070	KMYCB4BLS7C003070		
10	23461-CB2-7600	GEAR, C-3 26T	1	N	Y	20070418	20130731	KMYCB4BLS7C003070	KMYCB4BLS7C003070		

# E-13

## TRANSMISSION



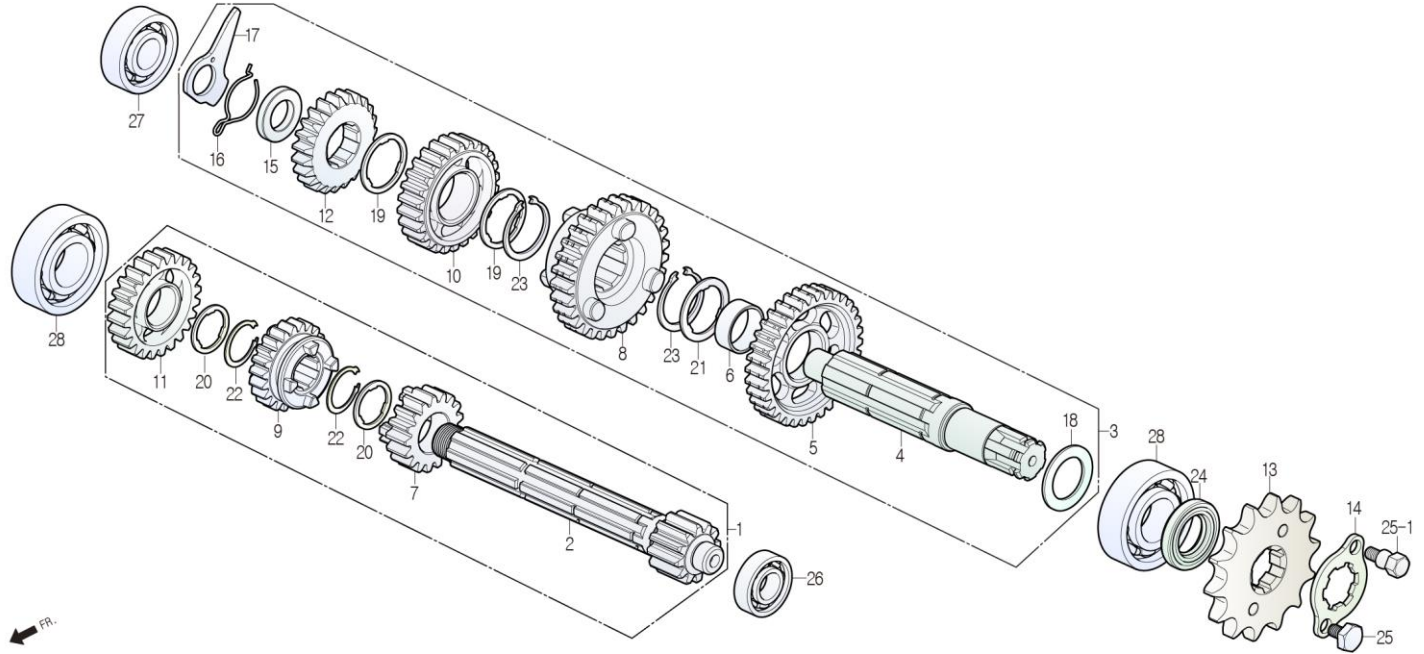
**[Set Applied Information]**

23421-CB4-0000 + 23441-CB4-0000

Service item	FRT	Ref No.	Part No.	Description	QTY	A/S	Exch	Start Date	End Date	Start FRM.No	End FRM.No
			23461-CB2-0000	GEAR, C-3 26T	1	N	Y	20130801	20150630	KMYCB4BLSEC004953	KMYCB4BLSGC005193
			23461-CB4-0000-M1	GEAR, C-3 26T	1	Y		20150701		KMYCB4BLSGC005194	
		11	23471-CB2-9100	GEAR, M-4 24T	1	N	Y	20030320	20150630	KMYCB4BLS3C000001	KMYCB4BLSGC005193
			23471-CB4-0000-M1	GEAR, M-4 24T	1	Y		20150701		KMYCB4BLSGC005194	
		12	23481-CD1-7700	GEAR, C-4 23T	1	N	Y	20070418	20150630	KMYCB4BLS7C003070	KMYCB4BLSGC005193
			23481-CB4-0000-M1	GEAR, C-4 23T	1	Y		20150701		KMYCB4BLSGC005194	
		13	23801-CB2-0000	SPROCKET, DRIVE	1	N	Y	20030320	20040825	KMYCB4BLS3C000001	KMYCB4BLS5C001988
			23801-CB2-0000-M1	SPROCKET, DRIVE 14T(LONCIN)	1	Y		20040826		KMYCB4BLS5C001989	
		14	23802-CB3-0000	PLATE, FIXING	1	Y		20030320		KMYCB4BLS3C000001	
		15	23911-CD1-7700	COLLAR, LOCK PLATE	1	N	Y	20030320	20160119	KMYCB4BLS3C000001	KMYCB4BLSGC005321
			23911-CB4-0000-M1	COLLAR, LOCK PLATE	1	N		20160120		KMYCB4BLSGC005322	
		16	24305-CD1-7700	SPRING, CHANGE FRICTION	1	Y		20030320		KMYCB4BLS3C000001	
		17	24306-CD1-7700	PLATE, DRUM LOCK	1	N		20030320		KMYCB4BLS3C000001	
		18	90452-CD1-7700	WASHER, THRUST, 17mm	1	N		20030320		KMYCB4BLS3C000001	
		19	90461-BA7-0100	WASHER, SPLINE, 20mm	2	N		20030320		KMYCB4BLS3C000001	
		20	90461-CB2-0000	WASHER, SPLINE, 17mm	2	N		20030320		KMYCB4BLS3C000001	
		21	90461-CD1-7700	WASHER, SPLINE, 20x1.2	1	N		20030320		KMYCB4BLS3C000001	
		22	90601-CB2-0000	CIRCLIP, EXTERNAL, 17mm	2	Y		20030320		KMYCB4BLS3C000001	
		23	90605-BA6-0000	SET RING, 20mm	2	N	Y	20030320	20150309	KMYCB4BLS3C000001	KMYCB4BLSFC005177
			90601-BA7-0000	CIRCLIP, 20mm	2	Y		20150310		KMYCB4BLSFC005178	
		24	91203-CB2-7610-M1	SEAL, OIL, 17x29x5	1	Y		20030320		KMYCB4BLS3C000001	

# E-13

## TRANSMISSION



**[Set Applied Information]**

23421-CB4-0000 + 23441-CB4-0000

Service item	FRT	Ref No.	Part No.	Description	QTY	A/S	Exch	Start Date	End Date	Start FRM.No	End FRM.No
		25	S2101-06008-0A	BOLT, HEX, 6x8	1	Y		20030320		KMYCB4BLS3C000001	
		25-1	90085-BA7-0000-EU	BOLT, DRIVE SPROCKET FIXING, 6x9	1	Y		20030320		KMYCB4BLS3C000001	
		26	S6100-60010-00	BEARING, BALL RADIAL 6001	1	Y		20030320		KMYCB4BLS3C000001	
		27	S6100-62010-00	BEARING, BALL 6201	1	Y		20030320		KMYCB4BLS3C000001	
		28	S6100-62030-00	BEARING, BALL RADIAL 6203	2	Y		20030320		KMYCB4BLS3C000001	