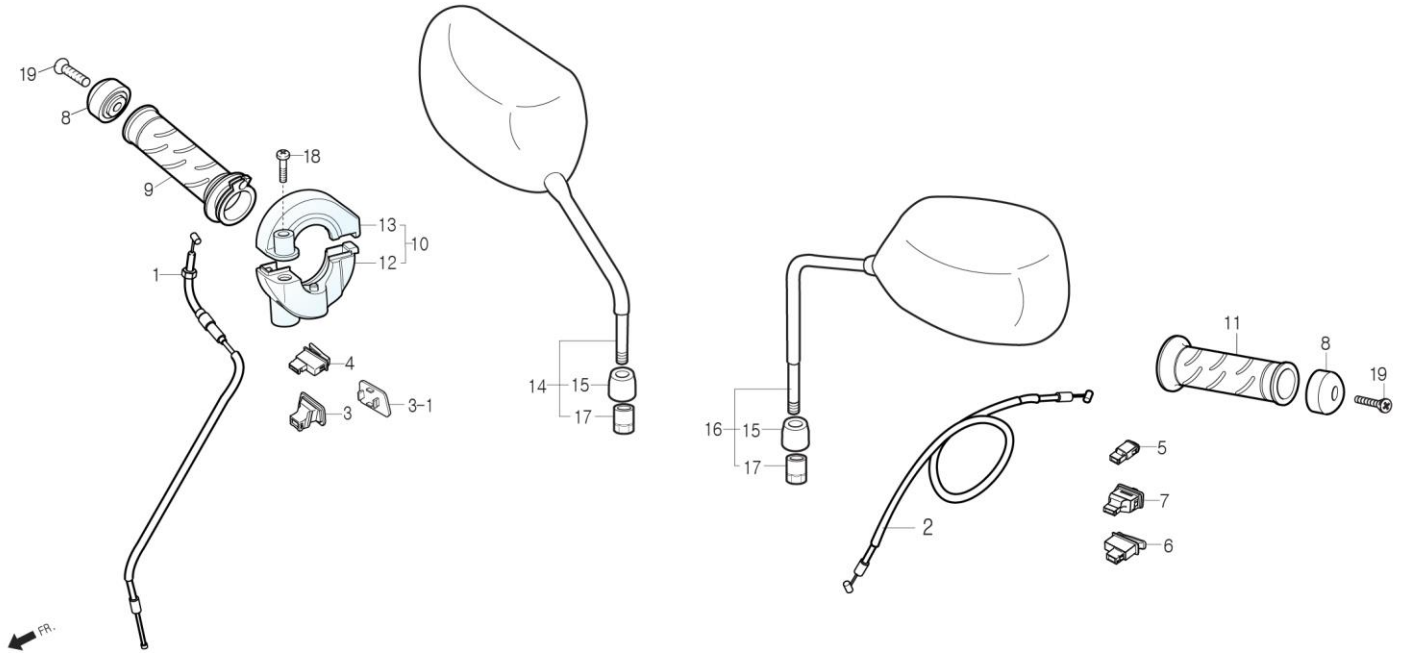


F-02

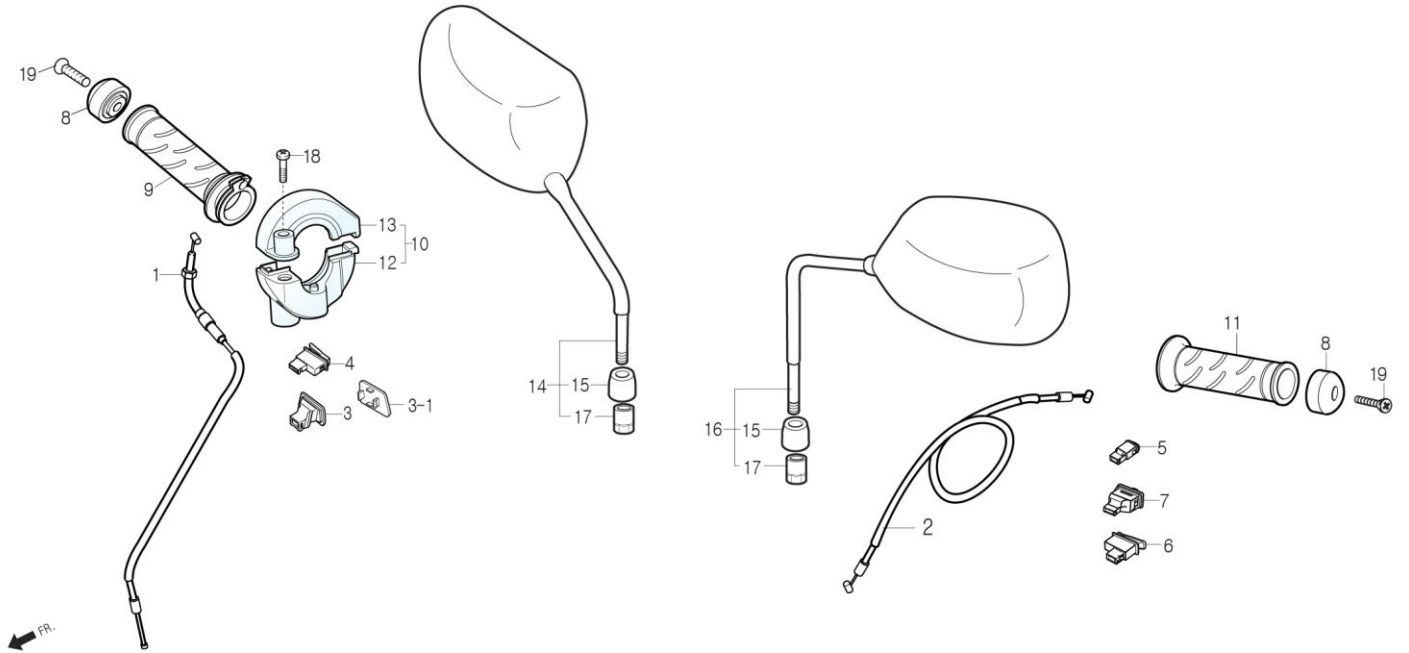
HANDLE SWITCH / LEVER / CABLE



Service item	FRT	Ref No.	Part No.	Description	QTY	A/S	Exch	Start Date	End Date	Start FRM.No	End FRM.No
CABLE COMP., THROTTLE	0.7	1	17910-CB4-0000-M1	CABLE COMP., THROTTLE	1	Y	N	20030320	20090818	KMYCB4BLS3C000001	KMYCB4BLSAC003444
.SWITCH ASS'Y, WINKER	0.6		17910-CB4-0010-M1	CABLE COMP., THROTTLE	1	Y		20090819		KMYCB4BLSAC003445	
.SWITCH ASS'Y, DIMMER		2	17950-CB4-0000-M1	CABLE COMP., CHOKE	1	Y		20030320		KMYCB4BLS3C000001	
.SWITCH UNIT, HORN		3	35150-SC1-0040-M1	SWITCH UNIT, LIGHTING	1	Y	N	20030320	20160119	KMYCB4BLS3C000001	KMYCB4BLSGC005321
.SWITCH UNIT, START		3-1	35151-SA2-0000	COVER, LIGHTING SW.	1	Y		20160120		KMYCB4BLSGC005322	
.CABLE COMP., CHOKE	0.2	4	35160-CB4-0000	SWITCH UNIT, START	1	Y		20030320		KMYCB4BLS3C000001	
.HOUSING, UNDER THROTTLE	0.3	5	35170-CB4-0000	SWITCH UNIT, DIMMER	1	Y		20030320		KMYCB4BLS3C000001	
.HOUSING, UPPER THROTTLE	0.3	6	35180-CB4-0000	SWITCH UNIT, HORN	1	N	Y	20030320	20080731	KMYCB4BLS3C000001	KMYCB4BLS9C003294
GRIP COMP., THROTTLE	0.4		35180-CB4-4000	SWITCH UNIT, HORN	1	Y		20080801		KMYCB4BLS9C003295	
		7	35200-CB4-0000	SWITCH UNIT, WINKER	1	Y		20030320		KMYCB4BLS3C000001	
GRIP, LH.HANDLE	0.2	8	53106-CB4-0000	WEIGHT CAP, HANDLE	2	Y		20030320	20080117	KMYCB4BLS3C000001	KMYCB4BLS8C003290
.PIPE, THROTTLE GRIP		9	53140-CB4-0000	GRIP COMP., THROTTLE	1	Y	N	20030320	20080116	KMYCB4BLS3C000001	KMYCB4BLS8C003290
		9-1	53140-CB3-1000	GRIP COMP., THROTTLE	1	Y		20080117		KMYCB4BLS8C003291	
MIRROR ASS'Y, BACK	0.1	10	5316A-SE5-0200	HOUSING ASS'Y, THROTTLE	1	Y		20030320		KMYCB4BLS3C000001	
		11	53166-CB4-0000	GRIP, LH.HANDLE	1	Y	N	20030320	20080116	KMYCB4BLS3C000001	KMYCB4BLS8C003290
		11-1	53166-CB3-1000	GRIP, LH.HANDLE	1	Y		20080117		KMYCB4BLS8C003291	
		12	53167-SE5-0200	HOUSING, UNDER THROTTLE	1	N		20030320		KMYCB4BLS3C000001	
		13	53168-SE5-0200	HOUSING, UPPER THROTTLE	1	N		20030320		KMYCB4BLS3C000001	
		14	88110-CB4-0000	MIRROR ASS'Y, RH.BACK	1	N	Y	20030320	20161120	KMYCB4BLS3C000001	KMYCB4BLSHC005519
			88110-CB4-0000-M1	MIRROR ASS'Y, RH.BACK	1	Y		20161121		KMYCB4BLSHC005520	
		15	88113-CB2-9000-H1	CAP, LOCK NUT	2	N		20030320		KMYCB4BLS3C000001	

F-02

HANDLE SWITCH / LEVER / CABLE



Service item	FRT	Ref No.	Part No.	Description	QTY	A/S	Exch	Start Date	End Date	Start FRM.No	End FRM.No
		16	88120-CB4-0000	MIRROR ASS'Y, LH.BACK	1	N	Y	20030320	20161120	KMYCB4BLS3C000001	KMYCB4BLSHC005519
			88120-CB4-0000-M1	MIRROR ASS'Y, LH.BACK	1	Y		20161121		KMYCB4BLSHC005520	
		17	90314-CB4-0000	NUT, LOCK	2	N		20030320		KMYCB4BLS3C000001	
		18	S3500-05028-0H	SCREW, PAN, 5x28	1	N	Y	20030320	20100430	KMYCB4BLS3C000001	KMYCB4BLSAC003718
			S3500-05028-0A	SCREW, PAN, 5x28	1	Y		20100501		KMYCB4BLSAC003719	
		19	S3700-06040-0G	SCREW, OVAL, 6x40	2	Y		20030320	20080117	KMYCB4BLS3C000001	KMYCB4BLS8C003290