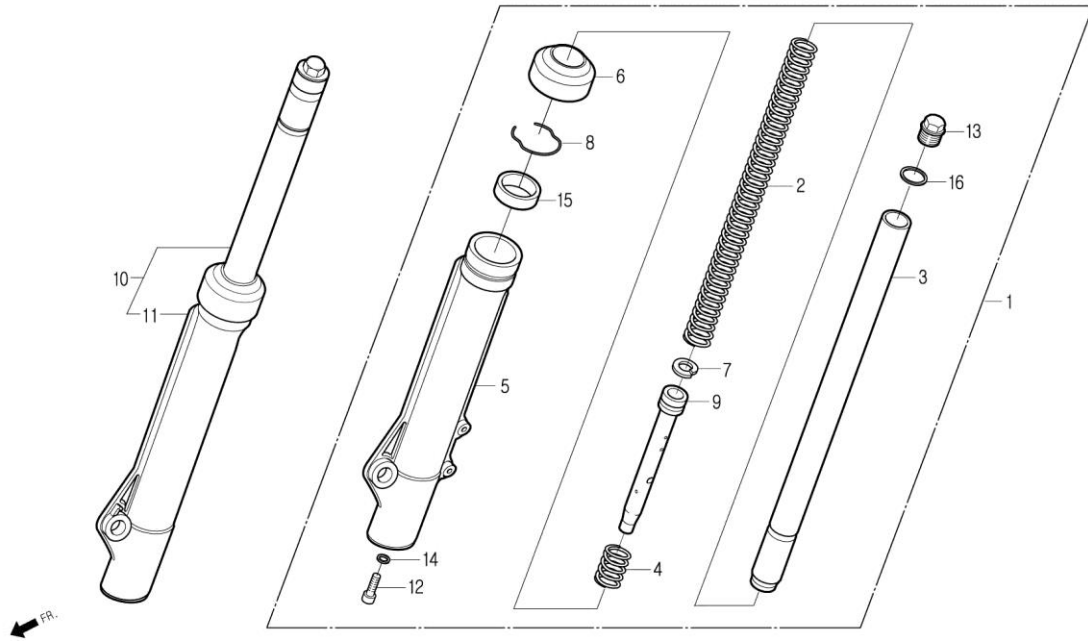


F-06

FRONT FORK



Service item	FRT	Ref No.	Part No.	Description	QTY	A/S	Exch	Start Date	End Date	Start FRM.No	End FRM.No
FORK ASS'Y, RH.FR.	0.3	1	51400-CB4-0000	FORK ASS'Y, RH.FR.	1	N	Y	20030320	20070612	KMYCB4BLS3C000001	KMYCB4BLS8C003269
			51400-CB4-0010	FORK ASS'Y, RH.FR.	1	Y		20070613		KMYCB4BLS8C003270	
FORK ASS'Y, LH.FR.	0.4	2	51401-CB4-0000-M1	SPRING, FR.FORK	2	N	Y	20030320	20070612	KMYCB4BLS3C000001	KMYCB4BLS8C003269
			51401-CB4-0010-M1	SPRING, FR.FORK	2	N		20070613		KMYCB4BLS8C003270	
		3	51410-CB4-0000-M1	TUBE COMP., FR.FORK	2	N		20030320		KMYCB4BLS3C000001	
		4	51412-CB2-9010-M1	SPRING, REBOUND	2	N		20030320		KMYCB4BLS3C000001	
		5	51421-CB4-0000	CASE, RH.BOTTM	1	N		20030320		KMYCB4BLS3C000001	
		6	51425-CB2-9010-M1	SEAL, DUST	2	N		20030320		KMYCB4BLS3C000001	
		7	51437-CB2-0030	RING, PISTON	2	N		20030320		KMYCB4BLS3C000001	
		8	51466-CB2-9010-M1	RING, OIL SEAL STOPPER	2	N		20030320		KMYCB4BLS3C000001	
		9	51470-CB4-0000	PIPE, SEAT	2	N		20030320		KMYCB4BLS3C000001	
		10	51500-CB4-0000	FORK ASS'Y, LH.FR.	1	N	Y	20030320	20070612	KMYCB4BLS3C000001	KMYCB4BLS8C003269
			51500-CB4-0010	FORK ASS'Y, LH.FR.	1	Y		20070613		KMYCB4BLS8C003270	
		11	51521-CB4-0000	CASE, LH.BOTTOM	1	N		20030320		KMYCB4BLS3C000001	
		12	90116-BA6-7210-M1	BOLT, SOCKET, 8mm	2	N		20030320		KMYCB4BLS3C000001	
		13	90123-CB3-0000-M2	BOLT, FORK	2	N		20030320		KMYCB4BLS3C000001	
		14	90544-HD2-0000	WASHER, SPECIAL, 8mm	2	N		20030320		KMYCB4BLS3C000001	
		15	91255-CB2-9010-M1	SEAL, OIL, 26x37x10.5	2	N		20030320		KMYCB4BLS3C000001	
		16	91256-BA6-0030	O-RING, 16.8x24	2	N		20030320		KMYCB4BLS3C000001	