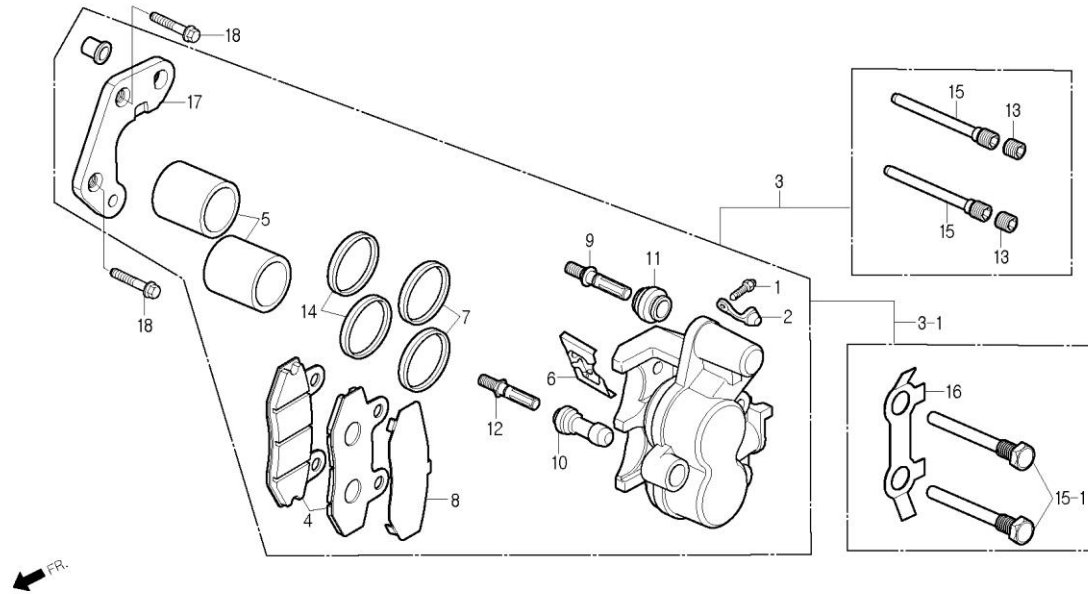


F-08

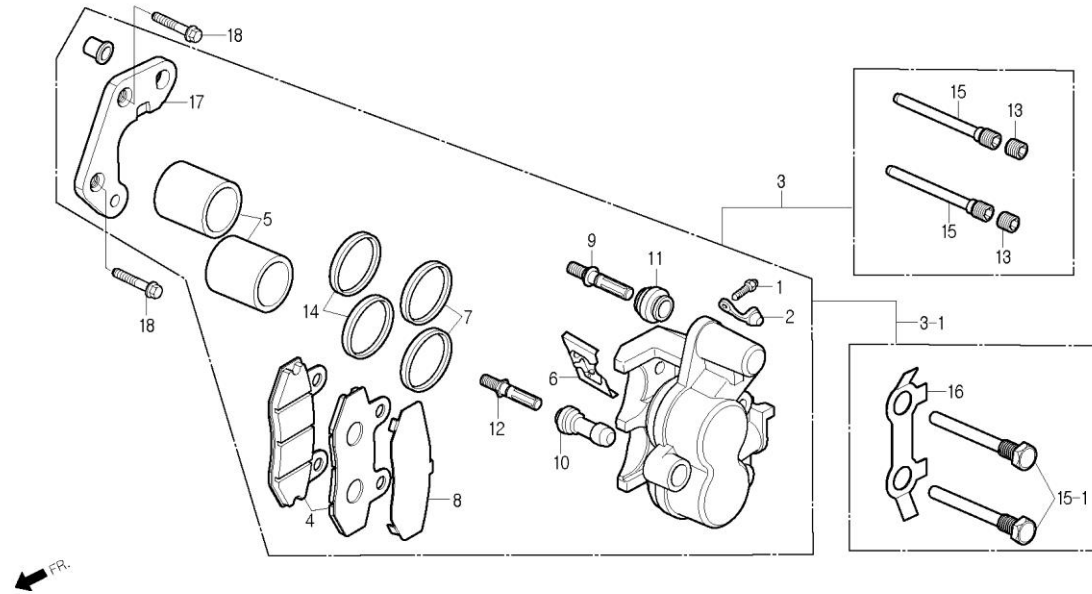
FRONT BRAKE CALIPER



Service item	FRT	Ref No.	Part No.	Description	QTY	A/S	Exch	Start Date	End Date	Start FRM.No	End FRM.No
BRACKET, RR.	0.2	1	43352-CB4-0000-M1	BLEEDER	1	N	N	20030320	20060110	KMYCB4BLS3C000001	KMYCB4BLS6C002227
			43352-SE6-9800-M4	SCREW, BLEEDER(KL)	1	N		20060111		KMYCB4BLS6C002228	
..PAD COMP.	0.2	2	43353-CB4-0000-M1	CAP, BLEEDER	1	N	N	20030320	20060110	KMYCB4BLS3C000001	KMYCB4BLS6C002227
			43353-SE6-9800-M4	CAP, BLEEDER(KL)	1	N		20060111		KMYCB4BLS6C002228	
		3	45100-CB4-RB00-M1	CALIPER ASS'Y, LH.FR.	1	N	Y	20030320	20060110	KMYCB4BLS3C000001	KMYCB4BLS6C002227
PISTON (INCLUDE RELATIVE PARTS)	0.4	3-1	45100-CB4-RB10-M1	CALIPER ASS'Y, LH.FR.	1	N	Y	20060111	20080701	KMYCB4BLS6C002228	KMYCB4BLS9C003294
			45100-CB4-RB20-M1	CALIPER ASS'Y, LH.FR.	1	Y		20080702		KMYCB4BLS9C003295	
..CALIPER COMP., FR.		4	45105-CB4-RB00-M1	PAD COMP.	2	Y		20030320		KMYCB4BLS3C000001	
		5	45107-CB4-0000-M1	PISTON,CALIPER	2	N		20030320		KMYCB4BLS3C000001	
CALIER ASS'Y, FR.	0.3	6	45108-CB4-0000-M1	SPRING, PAD	1	N		20030320		KMYCB4BLS3C000001	
		7	45109-CB4-0000-M1	SEAL, DUST	2	N		20030320		KMYCB4BLS3C000001	
		8	45114-CB4-0000-M1	SHIM, LH.	1	N		20080702		KMYCB4BLS9C003295	
		9	45131-CB4-0000-M1	BOLT A, PIN	1	N		20030320		KMYCB4BLS3C000001	
		10	45132-CB4-0000-M1	BUSH, BOOT PIN	1	N	N	20030320	20060110	KMYCB4BLS3C000001	KMYCB4BLS6C002227
			45132-SE6-9800-M4	BUSH, PIN(KL)	1	N		20060111		KMYCB4BLS6C002228	
		11	45133-CB4-0000-M1	BOOT, PIN	1	N		20030320		KMYCB4BLS3C000001	
		12	45135-CB4-0000-M1	BOLT A, PIN	1	N	N	20030320	20060110	KMYCB4BLS3C000001	KMYCB4BLS6C002227
			45131-SE6-9800-M4	BOLT, PIN(KL)	1	N		20060111		KMYCB4BLS6C002228	
		13	45203-CB4-0000-M1	PLUG, PIN	2	N		20030320	20060110	KMYCB4BLS3C000001	KMYCB4BLS6C002227
		14	45209-CB4-0000-M1	SEAL, PISTON	2	N		20030320		KMYCB4BLS3C000001	
		15	45215-CB4-0000-M1	PIN, HANGER	2	N	N	20030320	20060110	KMYCB4BLS3C000001	KMYCB4BLS6C002227
		15-1	45215-CB4-0010-M1	PIN, HANGER	2	N		20060111		KMYCB4BLS6C002228	

F-08

FRONT BRAKE CALIPER



Service item	FRT	Ref No.	Part No.	Description	QTY	A/S	Exch	Start Date	End Date	Start FRM.No	End FRM.No
		16	45217-CB4-0000-M1	WASHER, TONGUED	1	N		20060111		KMYCB4BLS6C002228	
		17	46210-CB4-0000-M1	BRACKET, RR.CALIPER	1	N		20030320		KMYCB4BLS3C000001	
		18	S5801-08025-00	BOLT, FLANGE, 8x25	2	Y		20030320		KMYCB4BLS3C000001	