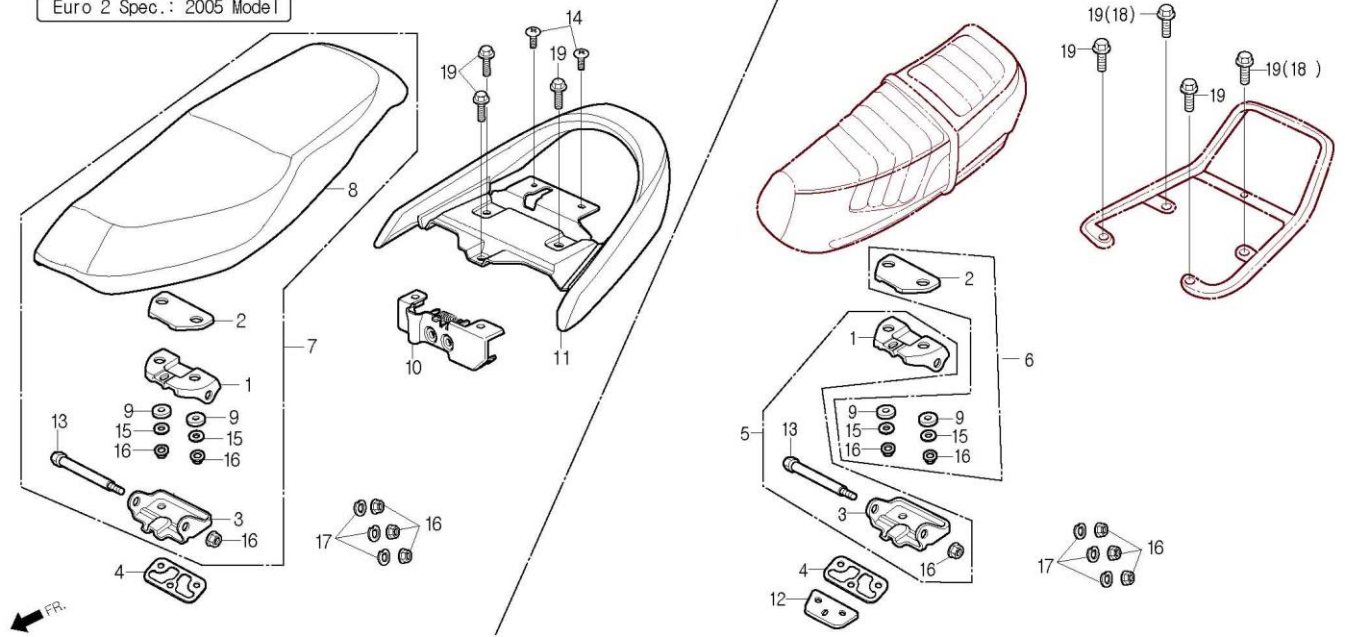


# F-12

## SEAT

Euro 2 Spec.: 2005 Model

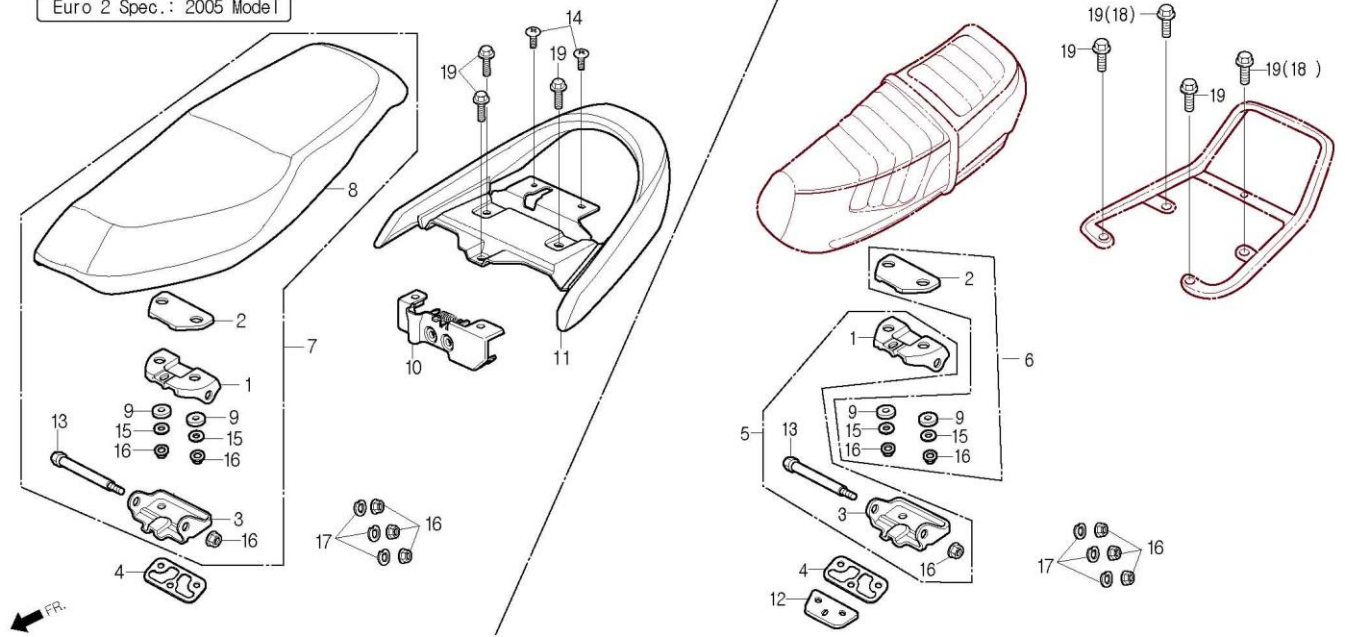


Service item	FRT	Ref No.	Part No.	Description	QTY	A/S	Exch	Start Date	End Date	Start FRM.No	End FRM.No
SEAT COMP. (INCLUDE RELATIVE PARTS)	0.1	1	77101-CB4-0000	HINGE A, SEAT	1	N		20030320		KMYCB4BLS3C000001	
.HINGE B, SEAT		2	77102-CB4-0000	RUBBER, SEAT MOUNT A	1	N		20030320		KMYCB4BLS3C000001	
.SEAT COMP., PILLION	0.1	3	77103-CB4-0000	HINGE B, SEAT	1	N		20030320		KMYCB4BLS3C000001	
.CARRIER, LUGGAGE	0.2	4	77104-CB4-0000	RUBBER, SEAT MOUNT B	1	N	Y	20030320	20100330	KMYCB4BLS3C000001	KMYCB4BLSAC003690
		5	77104-CB4-0010	RUBBER, SEAT MOUNT B	1	Y		20100331		KMYCB4BLSAC003691	
		5	7711A-CB4-RH00	HINGE ASS'Y, SEAT	1	Y		20030320	20050323	KMYCB4BLS3C000001	KMYCB4BLS5C002023
		6	7711B-CB4-RH00	RUBBER SET, SEAT MOUNT	1	Y		20030320	20050323	KMYCB4BLS3C000001	KMYCB4BLS5C002023
		7	7720A-CB4-RZ00	ASS'Y, SEAT	1	Y		20050324		KMYCB4BLS5C002024	
		8	77200-CB4-RZ00	SEAT COMP.DOUBLE	1	N		20050324		KMYCB4BLS5C002024	
		9	77207-CB4-0000	RUBBER C, SEAT MOUNT	2	N		20030320		KMYCB4BLS3C000001	
		10	77235-SZ1-0000	SEAT CATCH COMP.	1	Y		20050324		KMYCB4BLS5C002024	
		11	81200-CB4-RZ00	HAND GRIP COMP., RR.	1	Y		20050324		KMYCB4BLS5C002024	
		12	87123-CB4-0000	STAY, BODY COVER	1	N		20030320	20040916	KMYCB4BLS3C000001	KMYCB4BLS5C001988
		13	90102-CB4-0000	BOLT, SEAT HINGE	1	N		20030320		KMYCB4BLS3C000001	
		14	90103-BA5-0000	SCREW, TORUS, 6x12	2	Y		20050324		KMYCB4BLS5C002024	
		15	90485-CB4-0000	COLLAR, 6mm	2	N		20030320		KMYCB4BLS3C000001	
		16	S4050-06080	NUT, FLANGE, 6mm	6	N		20030320		KMYCB4BLS3C000001	
		17	S4111-06800	WASHER, SPRING, 6mm	3	Y		20030320	20120219	KMYCB4BLS3C000001	KMYCB4BLS5C004617
		18	S5701-08020-08	BOLT, FLANGE, 8x20	2	N	Y	20030320	20030721	KMYCB4BLS3C000001	KMYCB4BLS3C000661
		19	S5701-08025-08	BOLT, FLANGE, 8x25	2	N	Y	20030320	20030721	KMYCB4BLS3C000001	KMYCB4BLS3C000661
			S5701-08025-08	BOLT, FLANGE, 8x25	4	N	Y	20030722	20050323	KMYCB4BLS3C000662	KMYCB4BLS5C002023

# F-12

## SEAT

Euro 2 Spec.: 2005 Model



Service item	FRT	Ref No.	Part No.	Description	QTY	A/S	Exch	Start Date	End Date	Start FRM.No	End FRM.No
			S5701-08025-08	BOLT, FLANGE, 8x25	3	N	Y	20050324	20100430	KMYCB4BLS5C002024	KMYCB4BLSAC003718
			S5701-08025-00	BOLT, FLANGE, 8x25	3	Y		20100501		KMYCB4BLSAC003719	