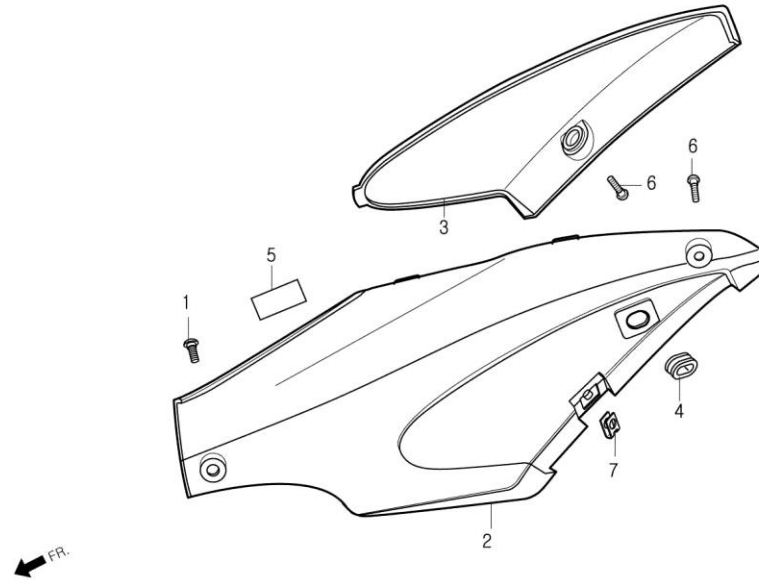


# F-14

## SIDE COVER



Service item	FRT	Ref No.	Part No.	Description	QTY	A/S	Exch	Start Date	End Date	Start FRM.No	End FRM.No
COVER, RH.SIDE (ONE OR ALL)	0.1	1	64321-CB4-0010	LATCH, FR.FENDER	1	Y		20030320		KMYCB4BLS3C000001	
		2	83500-CB4-0000-BK	COVER, RH.SIDE(BLACK)	1	Y		20060401		KMYCB4BLS6C002244	
			83500-CB4-0000-IB	COVER, RH.SIDE(I/BLUE)	1	Y		20030320	20170131	KMYCB4BLS3C000001	KMYCB4BLSHC005520
			83500-CB4-0000-RD	COVER, RH.SIDE(CO/RED)	1	Y		20030320	20050323	KMYCB4BLS3C000001	KMYCB4BLS5C002023
			83500-CB4-0000-SL	COVER, RH.SIDE(SILVER)	1	Y		20030320	20110501	KMYCB4BLS3C000001	KMYCB4BLSBC004029
			83500-CB4-0000-UR	COVER, RH.SIDE(S/RED)	1	Y		20040114		KMYCB4BLS4C001447	
			83500-CB4-0000-WH	COVER, RH.SIDE(WHITE)	1	Y		20110501		KMYCB4BLSBC004030	
		3	83501-CB4-0000-BK	COVER, RH.SUB SIDE(BLACK)	1	Y		20030320		KMYCB4BLS3C000001	
			83501-CB4-0000-SL	COVER, RH.SUB SIDE(SILVER)	1	Y		20030320	20060331	KMYCB4BLS3C000001	KMYCB4BLS6C002243
			83501-CB4-0000-YL	COVER, RH.SUB SIDE(YELLOW)	1	Y		20030516	20060331	KMYCB4BLS3C000363	KMYCB4BLS6C002243
			83501-CB4-0000-WH	COVER, RH.SUB SIDE(S/WHITE)	1	Y		20110501	20170131	KMYCB4BLSBC004030	KMYCB4BLSHC005520
		4	83551-BA6-0000	GROMMET, SIDE COVER	1	Y		20030320		KMYCB4BLS3C000001	
		5	87565-CB4-RH00	CONTROL LABEL, ANTI TAMPERING	1	N	N	20030320	20050323	KMYCB4BLS3C000001	KMYCB4BLS5C002023
			87565-CB4-RH10	CONTROL LABEL, ANTI TAMPERING	1	N		20050324		KMYCB4BLS5C002024	
6	90124-CB4-0010	SCREW, SPECIAL, 6x16	2	Y		20030320		KMYCB4BLS3C000001			
7	90305-SE5-1000	NUT, CLIP, 6mm	1	Y		20030320		KMYCB4BLS3C000001			