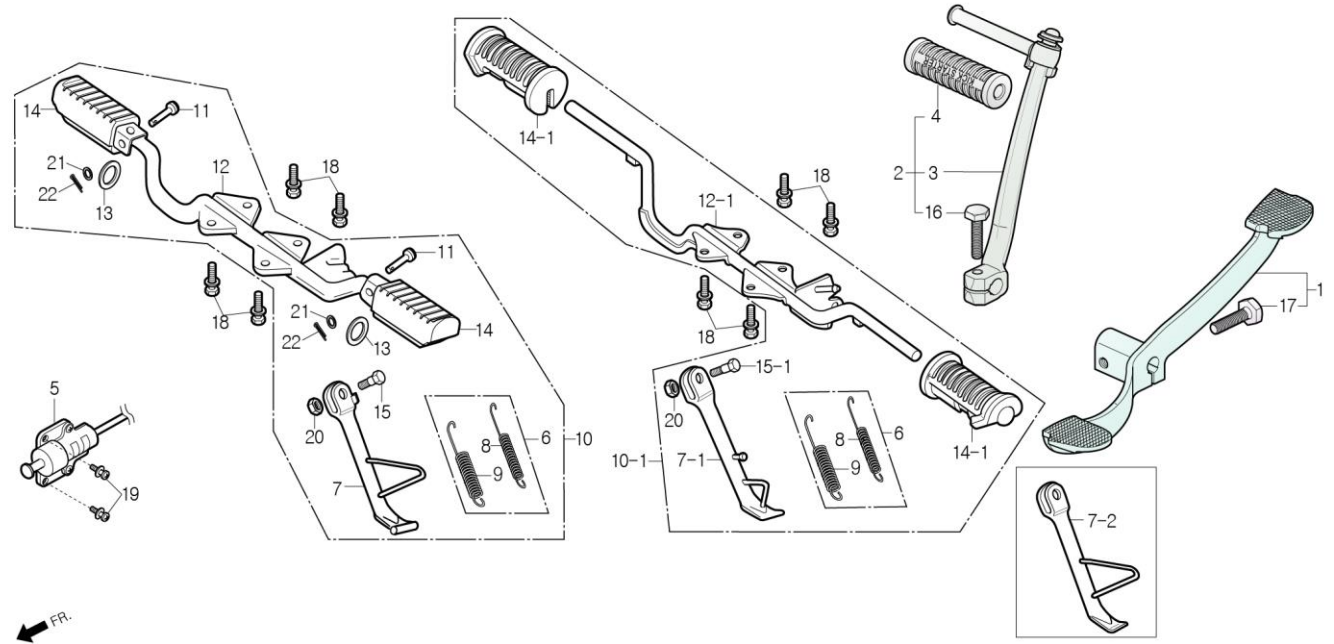


F-17

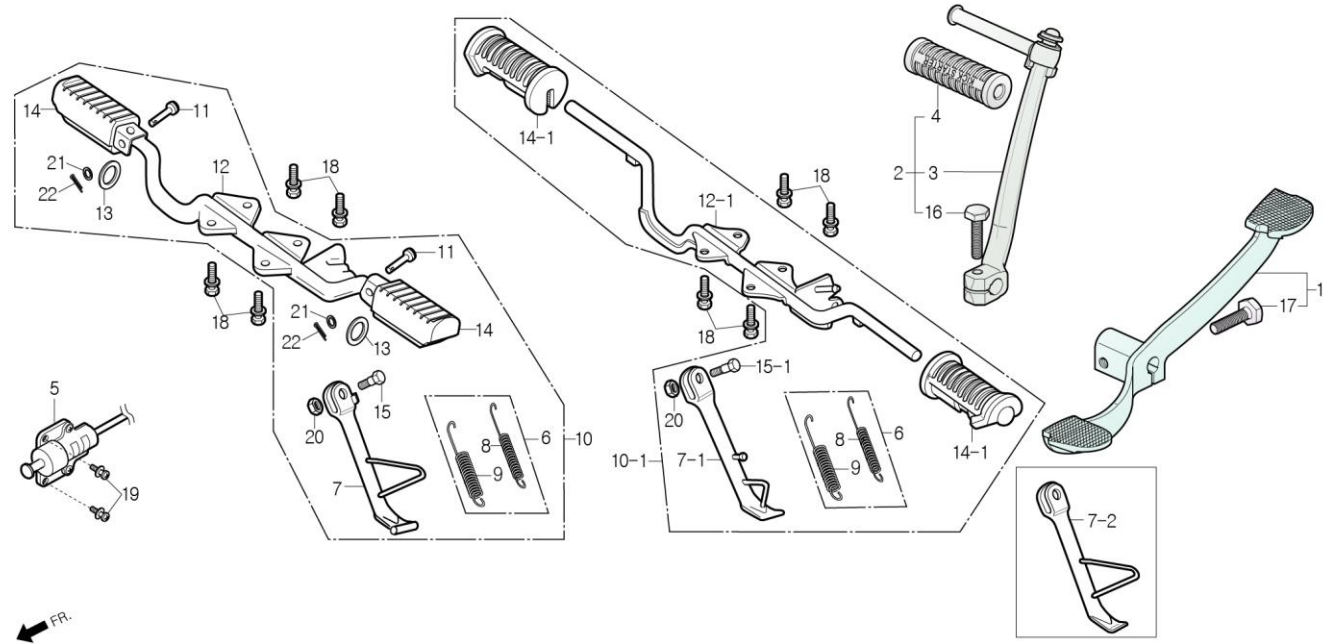
STEP / KICK ARM / CHANGE PEDAL



Service item	FRT	Ref No.	Part No.	Description	QTY	A/S	Exch	Start Date	End Date	Start FRM.No	End FRM.No
PEDAL, GEAR CHANGE	0.1	1	24701-CB4-0000	PEDAL, GEAR CHANGE	1	Y		20030320		KMYCB4BLS3C000001	
· ARM ASS'Y, KICK START		2	2830A-CB4-0000	ARM SET, KICK STARTER	1	Y		20030320		KMYCB4BLS3C000001	
· SPRING, SIDE STAND		3	28300-CB4-0000	ARM ASS'Y, KICK STARTER	1	N		20030320		KMYCB4BLS3C000001	
BAR COMP., SIDE STAND	0.2	4	28311-CB2-1000	RUBBER, KICK START	1	N		20030320		KMYCB4BLS3C000001	
		5	35700-CB3-0000-M1	SWITCH ASS'Y, SIDE STAND	1	N	Y	20030320	20040716	KMYCB4BLS3C000001	KMYCB4BLS5C001988
			35700-CB3-0000-M2	SWITCH ASS'Y, SIDE STAND(AOLI)	1	Y		20040717		KMYCB4BLS5C001989	
BAR COMP., STEP	0.3	6	5053A-SE1-RB00	SPRING SET, SIDE STAND	1	Y		20030320		KMYCB4BLS3C000001	
		7	50530-CB4-0000	BAR COMP., SIDE STAND	1	N	N	20030320	20040609	KMYCB4BLS3C000001	KMYCB4BLS5C001988
		7-1	50530-CB4-1000	BAR COMP., SIDE STAND	1	N	N	20040610	20041007	KMYCB4BLS5C001989	KMYCB4BLS5C001988
		7-2	50530-CB4-RH00	BAR COMP., SIDE STAND	1	N		20041008		KMYCB4BLS5C001989	
		8	50532-SE1-RB00	SPRING, SIDE STAND INNER	1	N		20030320		KMYCB4BLS3C000001	
		9	50533-SE1-RB00	SPRING, SIDE STAND OUTER	1	N		20030320		KMYCB4BLS3C000001	
		10	50600-CB4-0000	BAR ASS'Y, MAIN STEP	1	Y	N	20030320	20040609	KMYCB4BLS3C000001	KMYCB4BLS5C001988
		10-1	5061A-CB4-1000	BAR ASS'Y, MAIN STEP	1	Y	N	20040610	20041007	KMYCB4BLS5C001989	KMYCB4BLS5C001988
			5061A-CB4-RH00	BAR ASSY, MAIN STEP	1	N	Y	20041008	20080824	KMYCB4BLS5C001989	KMYCB4BLS9C003294
			5061A-CB4-RH10	BAR ASSY, MAIN STEP	1	N	Y	20080825	20140105	KMYCB4BLS9C003295	KMYCB4BLS9C004980
			5061A-CB4-RH20	BAR ASSY, MAIN STEP	1	Y		20140106		KMYCB4BLS9C004981	
		11	50603-BA6-0000	PIN, MAIN STEP BAR JOINT	2	N		20030320	20040609	KMYCB4BLS3C000001	KMYCB4BLS5C001988
		12	50610-CB4-0000	BAR COMP., STEP	1	N	N	20030320	20040609	KMYCB4BLS3C000001	KMYCB4BLS5C001988
		12-1	50610-CB4-1000	BAR COMP., STEP	1	N	N	20040610	20041007	KMYCB4BLS5C001989	KMYCB4BLS5C001988
			50610-CB4-RH00	BAR COMP., STEP	1	N	N	20041008	20080824	KMYCB4BLS5C001989	KMYCB4BLS9C003294
			50610-CB4-RH10	BAR COMP., STEP	1	N	Y	20080825	20140105	KMYCB4BLS9C003295	KMYCB4BLS9C004980

F-17

STEP / KICK ARM / CHANGE PEDAL



Service item	FRT	Ref No.	Part No.	Description	QTY	A/S	Exch	Start Date	End Date	Start FRM.No	End FRM.No
			50610-CB4-RH20	BAR COMP., STEP	1	N		20140106		KMYCB4BLSEC004981	
		13	50614-BA6-0000	PLATE, MAIN STEP SIDE	2	N		20030320	20040609	KMYCB4BLS3C000001	KMYCB4BLS5C001988
		14	50661-BA6-0000	RUBBER, MAIN STEP.	2	N	N	20030320	20040609	KMYCB4BLS3C000001	KMYCB4BLS5C001988
		14-1	50661-BA5-0000	RUBBER, STEP	2	N		20040610		KMYCB4BLS5C001989	
		15	90108-CD1-0000	SCREW, SIDE STAND PIVOT(Y)	1	Y	N	20030320	20040609	KMYCB4BLS3C000001	KMYCB4BLS5C001988
		15-1	90108-BA5-0000	SCREW, SIDE STAND PIVOT(Y)	1	N	Y	20040610	20050522	KMYCB4BLS5C001989	KMYCB4BLS5C002153
			90108-BA7-7400	SCREW, SIDE STAND PIVOT(W)	1	Y		20050523		KMYCB4BLS5C002154	
		16	S2101-06022-0A	BOLT, HEX, 6x22	1	N	N	20030320	20150824	KMYCB4BLS3C000001	KMYCB4BLSGC005217
			S2101-06022-00	BOLT, HEX, 6x22	1	N		20150825		KMYCB4BLSGC005218	
		17	S2101-06020-0H	BOLT, HEX, 6x20	1	N		20030320		KMYCB4BLS3C000001	
		18	S3412-08020-08	BOLT, WASHER, 8x20	4	N	Y	20030320	20100430	KMYCB4BLS3C000001	KMYCB4BLSAC003718
			S3412-08020-00	BOLT, WASHER, 8x20	4	Y		20100501		KMYCB4BLSAC003719	
		19	S3892-05016-08	SCREW, WASHER, 5x16	2	N	Y	20030320	20100430	KMYCB4BLS3C000001	KMYCB4BLSAC003718
			S3892-05016-00	SCREW, WASHER, 5x16	2	Y		20100501		KMYCB4BLSAC003719	
		20	S4002-10000-0S	NUT, HEX, 10mm	1	N	N	20030320	20050511	KMYCB4BLS3C000001	KMYCB4BLS5C002153
			S4002-10080-0S	NUT, HEX, 10mm	1	N		20050512		KMYCB4BLS5C002154	
		21	S4102-08700	WASHER, PLAIN, 8mm	2	N		20030320	20040609	KMYCB4BLS3C000001	KMYCB4BLS5C001988
		22	S4201-16150	PIN, SPLIT, 1.4x15	2	N		20030320	20040609	KMYCB4BLS3C000001	KMYCB4BLS5C001988