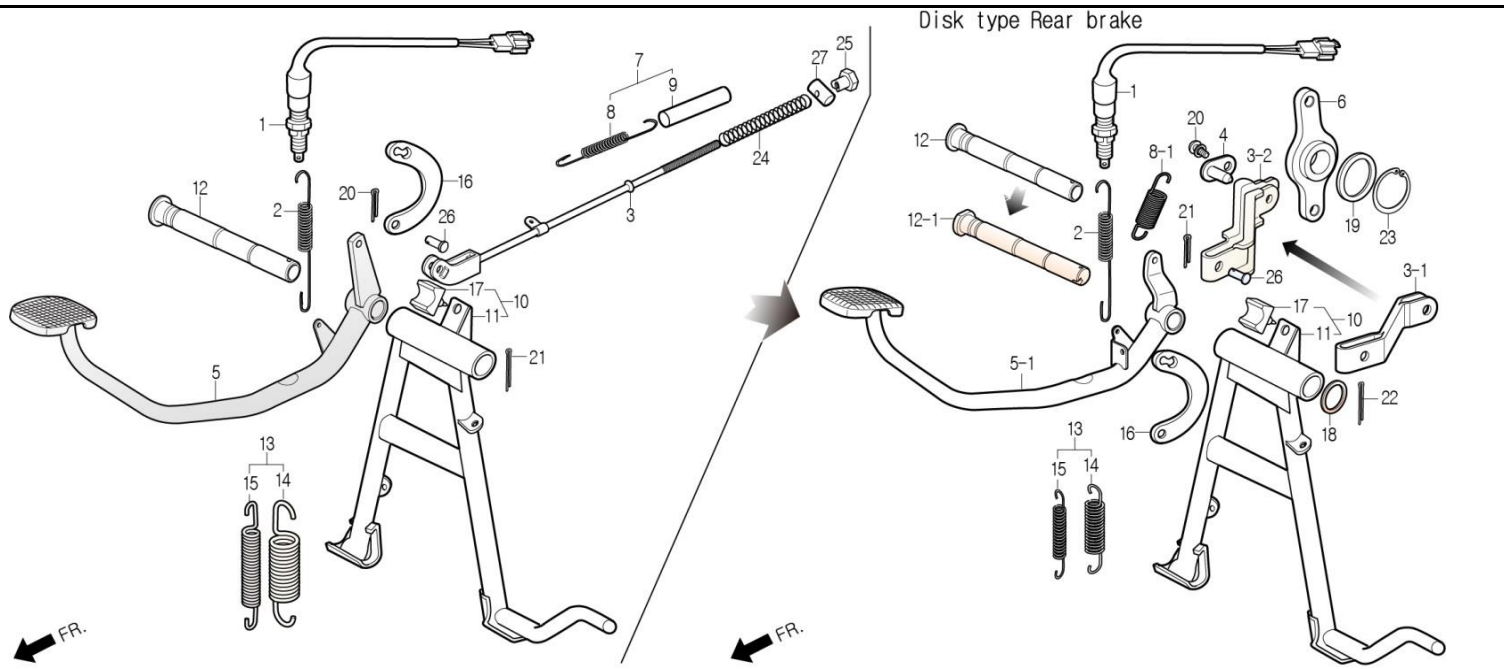


F-18

MAIN STAND / BRAKE PEDAL



[Set Applied Information]

50512-CB3-0010 + 90521-CB4-0000
 43451-CB4-3020 + 46500-CB4-3010

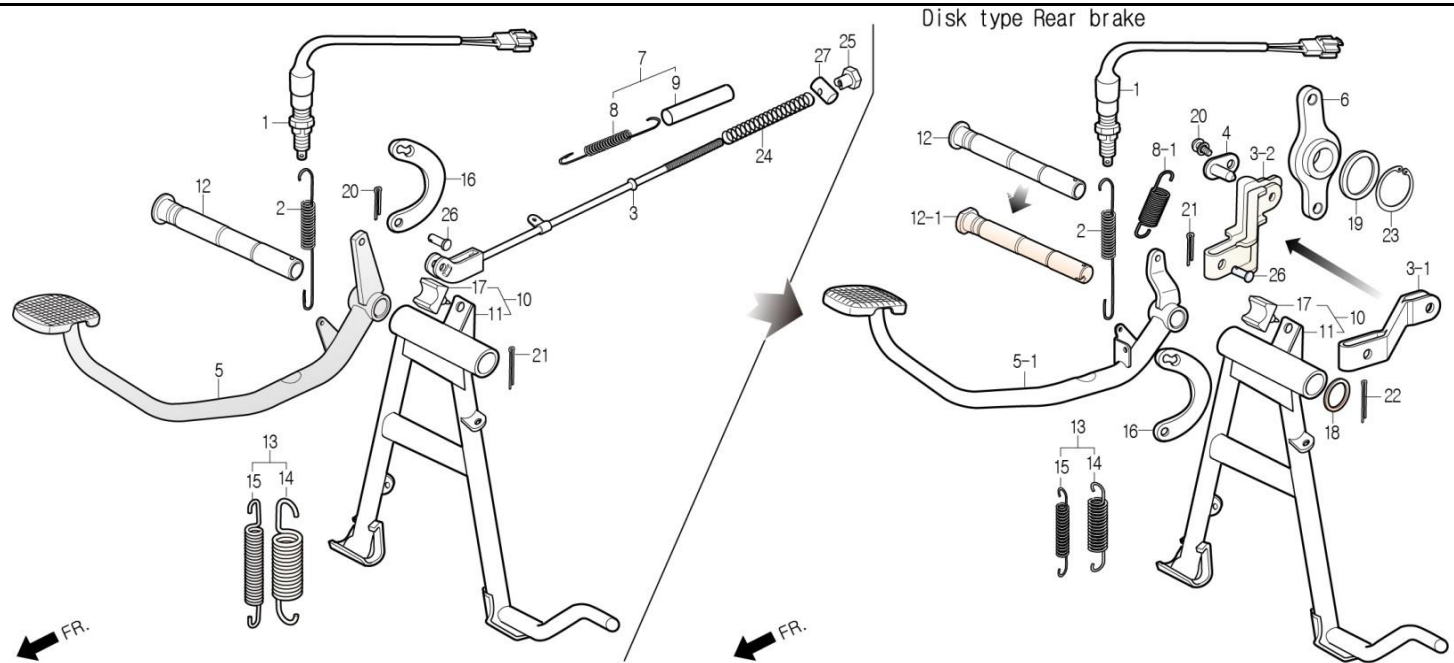
Service item	FRT	Ref No.	Part No.	Description	QTY	A/S	Exch	Start Date	End Date	Start FRM.No	End FRM.No
SWITCH ASS'Y, RR.STOP · HOOK, MAIN STAND SPRING	0.2	1	35350-CB4-0000	SWITCH ASS'Y, RR.STOP	1	Y		20030320		KMYCB4BLS3C000001	
		2	35357-CB4-0000	SPRING, STOP SWITCH	1	Y		20030320		KMYCB4BLS3C000001	
		3	43451-CB4-0000	ROD COMP., RR.BRAKE	1	Y	N	20030320	20071231	KMYCB4BLS3C000001	KMYCB4BLS8C003290
ROD, RR.BRAKE · STAND COMP., MAIN · PIPE, RR.BRAKE PIVOT	0.4	3-1	43451-CB4-3000	CONNECTOR, RR.BRAKE	1	N	Y	20070418	20120620	KMYCB4BLS7C003070	KMYCB4BLSDC004728
			43451-CB4-3010	CONNECTOR, RR.BRAKE	1	Y	N	20120621	20130827	KMYCB4BLSDC004729	KMYCB4BLSEC004978
		3-2	43451-CB4-3020	CONNECTOR, RR.BRAKE	1	Y		20130828		KMYCB4BLSEC004979	
PEDAL COMP., BRAKE	0.5	4	45015-CB4-3000	PIN, CONNECT	1	Y		20070418		KMYCB4BLS7C003070	
		5	46500-CB4-0000	PEDAL COMP., BRAKE(MFCr)	1	Y	N	20030320	20040616	KMYCB4BLS3C000001	KMYCB4BLS5C001988
			46500-CB4-1000	PEDAL COMP., BRAKE(BLACK)	1	Y		20040617	20071231	KMYCB4BLS5C001989	KMYCB4BLS8C003290
		5-1	46500-CB4-3000	PEDAL COMP., RR.BRAKE	1	Y	N	20070418	20130827	KMYCB4BLS7C003070	KMYCB4BLSEC004978
			46500-CB4-3010	PEDAL COMP., RR.BRAKE	1	Y		20130828		KMYCB4BLSEC004979	
		6	46512-CB4-3000	ARM B, RR.BRAKE	1	Y		20070418		KMYCB4BLS7C003070	
		7	46513-CB4-0000	SPRING SET, BRAKE PEDAL	1	Y	N	20030320	20060409	KMYCB4BLS3C000001	KMYCB4BLS6C002323
			46513-CB4-1010	SPRING SET, BRAKE PEDAL	1	Y		20060410	20071231	KMYCB4BLS6C002324	KMYCB4BLS8C003290
		8	46514-CB4-0000	SPRING, BRAKE PEDAL	1	N	N	20030320	20060409	KMYCB4BLS3C000001	KMYCB4BLS6C002323
			46514-CB4-1010	SPRING, BRAKE PEDAL	1	N		20060410	20071231	KMYCB4BLS6C002324	KMYCB4BLS8C003290
8-1	46514-BA4-0000	SPRING, RR.BRAKE PEDAL	1	Y		20070418		KMYCB4BLS7C003070			
9	46519-BA6-8300	TUBE, SPRING	1	N		20030320	20071231	KMYCB4BLS3C000001	KMYCB4BLS8C003290		
10	5050A-CB4-0000	STAND ASS'Y, MAIN	1	Y		20030320		KMYCB4BLS3C000001			
11	50500-CB4-0000	STAND COMP., MAIN	1	N		20030320		KMYCB4BLS3C000001			
12	50512-CB3-0000	PIPE, RR.BRAKE PIVOT	1	Y	Y	20070418	20130924	KMYCB4BLS7C003070	KMYCB4BLSEC004978		
12-1	50512-CB4-3000	PIPE, RR.BRAKE PIVOT	1	N	N	20130925	20160808	KMYCB4BLSEC004979	KMYCB4BLSHC005386		

F-18

MAIN STAND / BRAKE PEDAL

[Set Applied Information]

50512-CB3-0010 + 90521-CB4-0000
 43451-CB4-3020 + 46500-CB4-3010



Service item	FRT	Ref No.	Part No.	Description	QTY	A/S	Exch	Start Date	End Date	Start FRM.No	End FRM.No
			50512-CB3-0010	PIPE, RR.BRAKE PIVOT	1	Y		20160809		KMYCB4BLSHC005387	
		13	5052A-SE5-5000-EU	SPRING SET, MAIN STAND	1	Y		20030320		KMYCB4BLS3C000001	
		14	50520-SE5-5000-EU	SPRING, MAIN STAND OUTER	1	N		20030320		KMYCB4BLS3C000001	
		15	50521-SE5-5000-EU	SPRING, MAIN STAND INNER	1	N		20030320		KMYCB4BLS3C000001	
		16	50523-CB2-0000	HOOK, MAIN STAND SPRING(WHITE)	1	N	Y	20030320	20060501	KMYCB4BLS3C000001	KMYCB4BLS6C002516
			50523-CB3-0000	HOOK, MAIN STAND SPRING(YELLOW)	1	Y		20060502		KMYCB4BLS6C002517	
		17	50524-BA6-0000	RUBBER, STAND STOPPER	1	Y		20030320		KMYCB4BLS3C000001	
		18	90521-CB4-0000	WASHER 17x25	1	Y		20160808		KMYCB4BLSHC005387	
		19	90525-BA4-0000	WASHER, PLAIN, 15.2x25	1	Y		20070418		KMYCB4BLS7C003070	
		20	S3892-05012-08	SCREW, WASHER, 5x12	1	N	Y	20070418	20100430	KMYCB4BLS7C003070	KMYCB4BLSAC003718
			S3892-05012-10	SCREW, WASHER, 5x12	1	Y		20100501		KMYCB4BLSAC003719	
		21	S4201-16150	PIN, SPLIT, 1.4x15	1	N	Y	20030320	20040823	KMYCB4BLS3C000001	KMYCB4BLS5C001988
			S4201-20120	PIN, SPLIT, 1.8x12	1	Y		20040824		KMYCB4BLS5C001989	
		22	S4201-30250	PIN, SPLIT, 2.7x25	1	Y	Y	20030320	20130531	KMYCB4BLS3C000001	KMYCB4BLSEC004928
			S4201-30300	PIN, SPLIT, 2.7x30	1	Y		20130601		KMYCB4BLSEC004929	
		23	S4511-14000	CIR CLIP, EXTERNAL, 14mm	1	Y		20070418		KMYCB4BLS7C003070	
		24	S5014-CB3-0000	SPRING A, BRAKE ROD	1	Y		20030320	20071231	KMYCB4BLS3C000001	KMYCB4BLS8C003290
		25	S5015-BA6-0000-M1	NUT B, ADJUST(Y)	1	Y		20030320	20071231	KMYCB4BLS3C000001	KMYCB4BLS8C003290
		26	S5015-53000	PIN C, JOINT	1	Y		20030320		KMYCB4BLS3C000001	
		27	S5016-CB3-0000	JOINT B, BRAKE ARM	1	Y		20030320	20071231	KMYCB4BLS3C000001	KMYCB4BLS8C003290