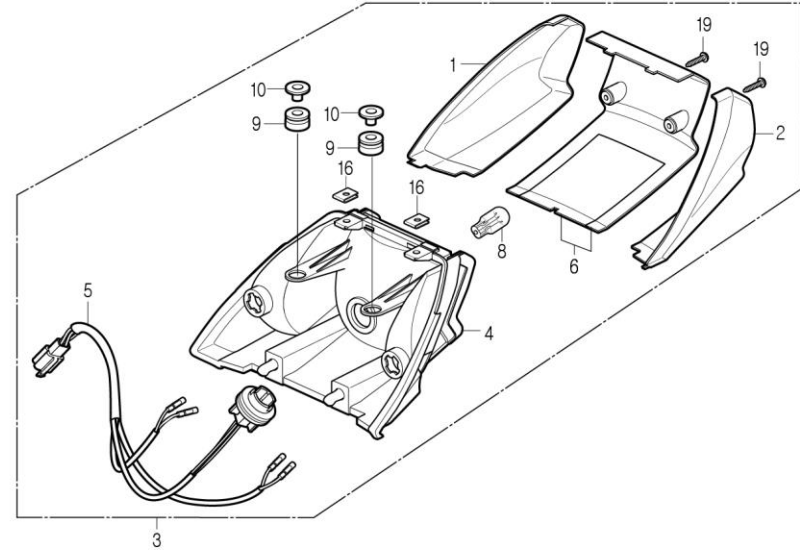
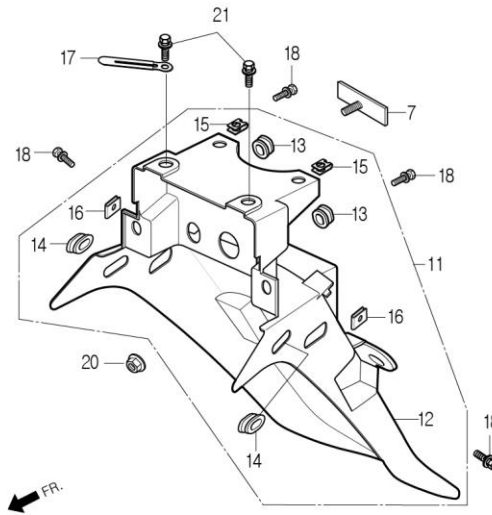


# F-21

## REAR COMBINATION LIGHT

[Set Applied Information]

33600-CB4-4000 + 33650-CB4-4000 + 8010A-CB4-4000



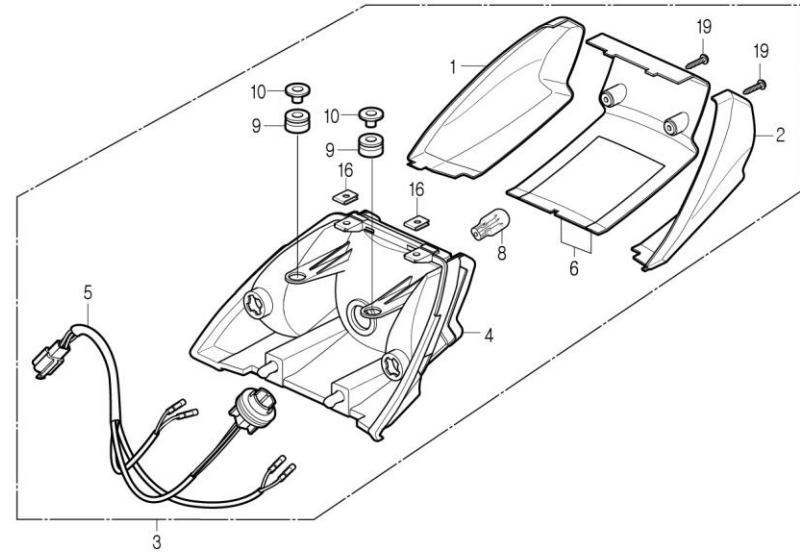
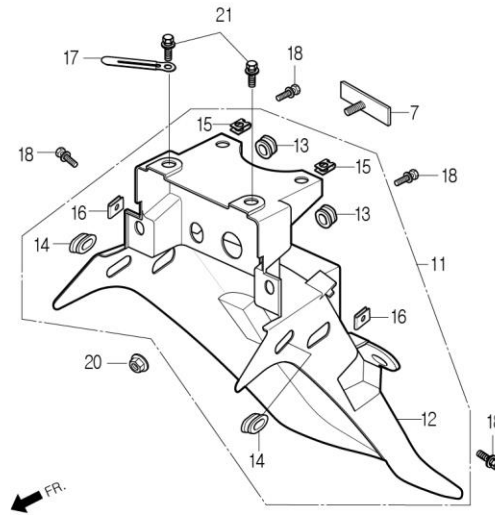
| Service item           | FRT | Ref No. | Part No.          | Description                      | QTY | A/S | Exch | Start Date | End Date | Start FRM.No      | End FRM.No        |
|------------------------|-----|---------|-------------------|----------------------------------|-----|-----|------|------------|----------|-------------------|-------------------|
| LIGHT ASS'Y, RR.COMBI. | 0.6 | 1       | 33601-CB4-RH00    | LENS, WINKER RH.                 | 1   | N   |      | 20030320   |          | KMYCB4BLS3C000001 |                   |
| .BASE COMP., RR.COMBI. |     | 2       | 33651-CB4-RH00    | LENS, LH.WINKER                  | 1   | N   |      | 20030320   |          | KMYCB4BLS3C000001 |                   |
|                        |     | 3       | 33700-CB4-RH00    | LIGHT ASS'Y, RR.COMBI.           | 1   | Y   |      | 20030320   |          | KMYCB4BLS3C000001 |                   |
| BULB                   | 0.1 | 4       | 33702-CB4-RH00    | BASE COMP., RR.COMBI.LIGHT       | 1   | N   |      | 20030320   |          | KMYCB4BLS3C000001 |                   |
| (ONE OR ALL)           |     | 5       | 33705-CB4-RH00    | SOCKET COMP., RR.COMBI.LIGHT     | 1   | N   |      | 20030320   |          | KMYCB4BLS3C000001 |                   |
| ASS'Y, RR.FENDER       | 0.7 | 6       | 3371A-CB4-0000    | LENS ASS'Y, RR.COMBINATION LIGHT | 1   | Y   |      | 20030320   |          | KMYCB4BLS3C000001 |                   |
|                        |     | 7       | 33741-SE5-RB00-M1 | REFLECTOR, REFLEX                | 1   | N   | Y    | 20030320   | 20150809 | KMYCB4BLS3C000001 | KMYCB4BLSGC005217 |
|                        |     |         | 33741-SE5-RB00-M2 | REFLECTOR, RR.REFLEX             | 1   | N   | Y    | 20150810   | 20170131 | KMYCB4BLSGC005218 | KMYCB4BLSHC005520 |
|                        |     |         | 33741-SA7-0000-M1 | RR.REFLECTOR ASS'Y               | 1   | Y   |      | 20170201   |          | KMYCB4BLSHC005521 |                   |
|                        |     | 8       | 34906-BA7-RB00    | BULB, TAIL & STOP(12V 21W/5W)    | 1   | Y   |      | 20030320   |          | KMYCB4BLS3C000001 |                   |
|                        |     | 9       | 64212-CB4-0000    | RUBBER, COMBI.LIGHT SETTING      | 2   | N   |      | 20030320   |          | KMYCB4BLS3C000001 |                   |
|                        |     | 10      | 64213-CB4-0000    | COLLAR, COMBI.LIGHT SETTING      | 2   | N   |      | 20030320   |          | KMYCB4BLS3C000001 |                   |
|                        |     | 11      | 8010A-CB4-RH00    | FENDER SET, RR.                  | 1   | Y   | N    | 20030320   | 20170131 | KMYCB4BLS3C000001 | KMYCB4BLSHC005520 |
|                        |     |         | 8010A-CB4-4000    | FENDER ASS'Y, RR.                | 1   | Y   |      | 20170201   |          | KMYCB4BLSHC005521 |                   |
|                        |     | 12      | 80105-CB4-RH00    | FENDER ASS'Y, RR.                | 1   | N   | N    | 20030320   | 20170131 | KMYCB4BLS3C000001 | KMYCB4BLSHC005520 |
|                        |     |         | 80105-CB4-4000    | ASS'Y, RR.FENDER                 | 1   | N   |      | 20170201   |          | KMYCB4BLSHC005521 |                   |
|                        |     | 13      | 83551-BA6-0000    | GROMMET, SIDE COVER              | 2   | Y   |      | 20030320   |          | KMYCB4BLS3C000001 |                   |
|                        |     | 14      | 83601-CB4-0000    | GROMMET, RR.FENDER               | 2   | N   |      | 20030320   |          | KMYCB4BLS3C000001 |                   |
|                        |     | 15      | 90305-SE5-1000    | NUT, CLIP, 6mm                   | 2   | Y   |      | 20030320   |          | KMYCB4BLS3C000001 |                   |
|                        |     | 16      | 90677-SE5-0030    | NUT, CLIP, 5mm                   | 4   | Y   |      | 20030320   |          | KMYCB4BLS3C000001 |                   |
|                        |     | 17      | 91410-BA6-0000    | CLIP 2x60                        | 1   | Y   |      | 20090101   |          | KMYCB4BLS9C003306 |                   |

# F-21

## REAR COMBINATION LIGHT

[Set Applied Information]

33600-CB4-4000 + 33650-CB4-4000 + 8010A-CB4-4000



| Service item | FRT | Ref No. | Part No.       | Description          | QTY | A/S | Exch | Start Date | End Date | Start FRM.No      | End FRM.No        |
|--------------|-----|---------|----------------|----------------------|-----|-----|------|------------|----------|-------------------|-------------------|
|              |     | 18      | S3404-06012-08 | BOLT, WASHER, 6x12   | 4   | N   | Y    | 20030320   | 20100430 | KMYCB4BLS3C000001 | KMYCB4BLSAC003718 |
|              |     |         | S3404-06012-00 | BOLT, WASHER, 6x12   | 4   | Y   |      | 20100501   |          | KMYCB4BLSAC003719 |                   |
|              |     | 19      | S3901-34610    | SCREW, TAPPING, 4x25 | 2   | N   |      | 20030320   |          | KMYCB4BLS3C000001 |                   |
|              |     | 20      | S4050-06080    | NUT, FLANGE, 6mm     | 1   | Y   |      | 20030320   |          | KMYCB4BLS3C000001 |                   |
|              |     | 21      | S5701-06022-08 | BOLT, FLANGE, 6x22   | 2   | N   | Y    | 20030320   | 20100430 | KMYCB4BLS3C000001 | KMYCB4BLSAC003718 |
|              |     |         | S5701-06022-00 | BOLT, FLANGE, 6x22   | 2   | Y   |      | 20100501   |          | KMYCB4BLSAC003719 |                   |