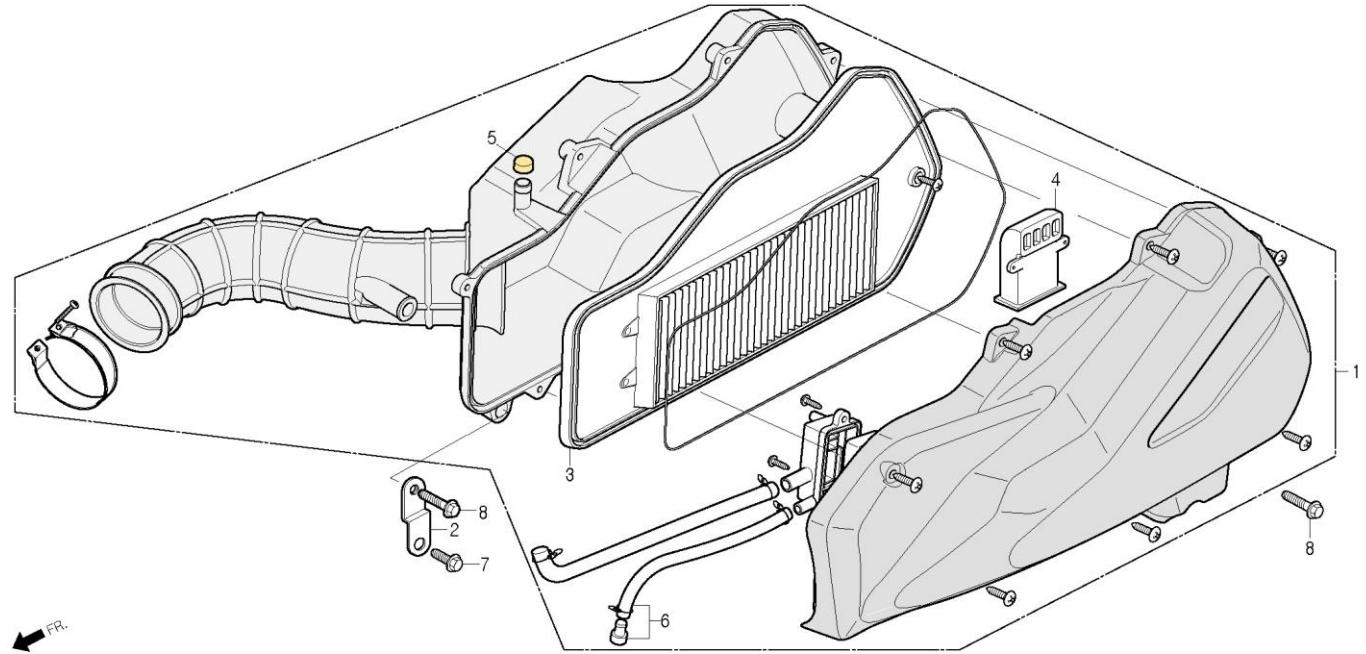


# F-19

## AIR CLEANER



[Set Applied Info]

Service item	FRT	Ref No.	Part No.	Description	QTY	A/S	Exch	Start Date	End Date	Start FRM.No	End FRM.No
CLEANER ASS'Y, AIR	0.4	1	17200-SA9-1000	CLEANER ASS'Y, AIR	1	Y		20090325		KMYSA9BLS91500001	
		2	17208-SA9-1000	BRACKET, AIR CLEANER	1	Y		20090325		KMYSA9BLS91500001	
ELEMENT COMP., AIR CLEANER	0.2	3	17211-SA9-1000	ELEMENT COMP., AIR CLEANER	1	Y		20090325		KMYSA9BLS91500001	
		4	17215-SA9-1000	INLET DUCT	1	N		20090325		KMYSA9BLS91500001	
		5	17232-SA9-1000	CAP, AIR CLEANER	1	N		20090325		KMYSA9BLS91500001	
		6	1737A-SAA-0000	TUBE ASS'Y, DRAIN	1	N		20090325		KMYSA9BLS91500001	
		7	F6002-06012-09	BOLT, SH.FLANGE 6x12	1	Y		20090325		KMYSA9BLS91500001	
		8	F6002-06025-00	BOLT, SH.FLANGE 6x25	2	Y		20090325		KMYSA9BLS91500001	