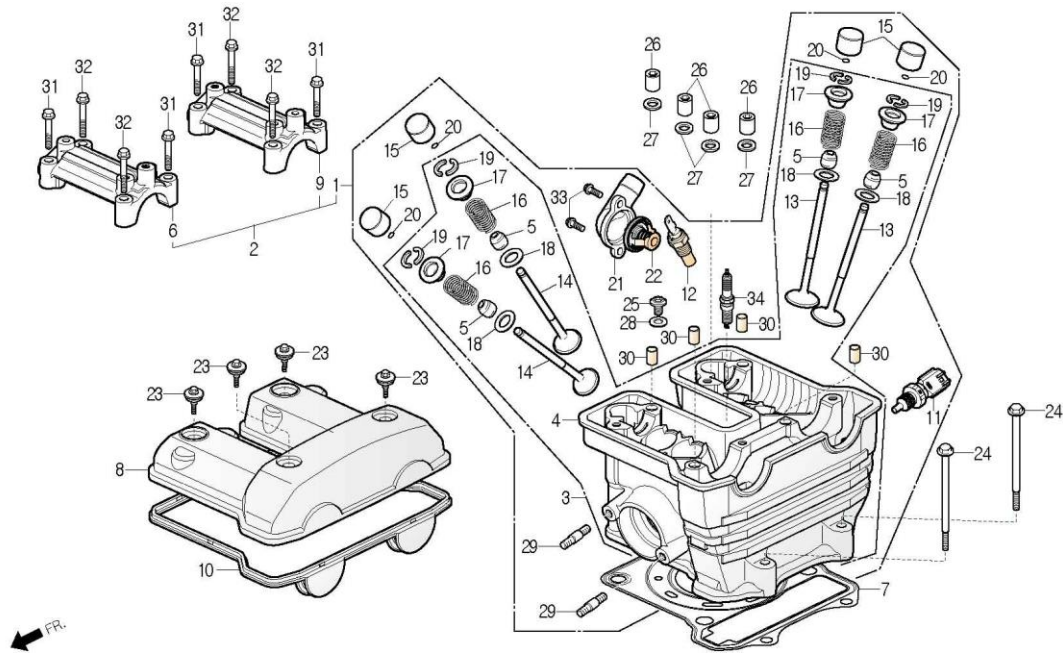


# E-01

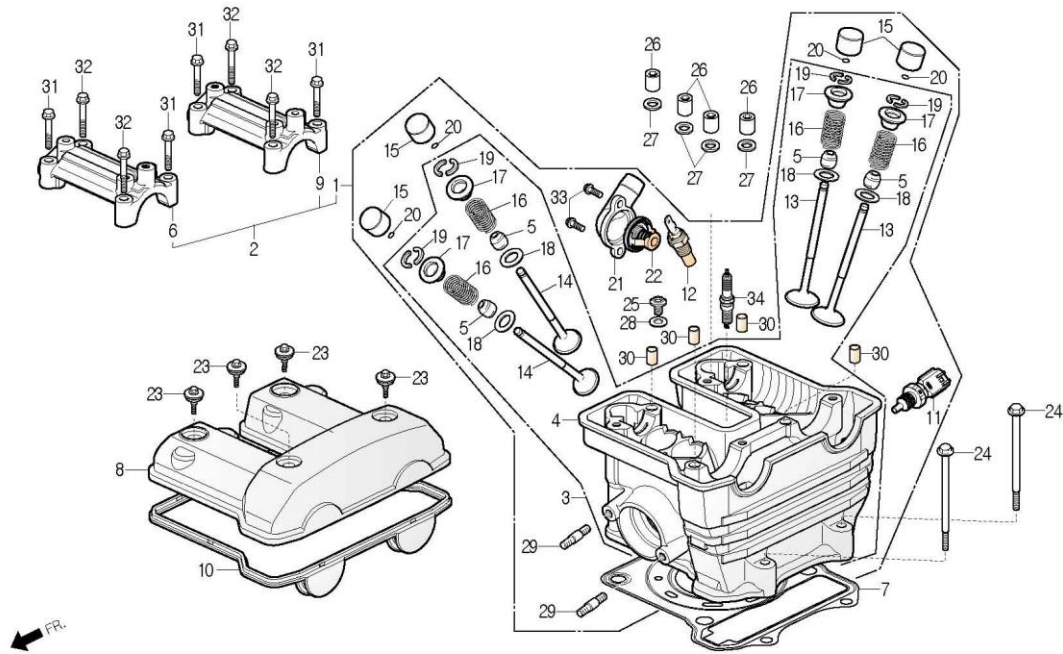
## CYLINDER HEAD



Service item	FRT	Ref No.	Part No.	Description	QTY	A/S	Exch	Start Date	End Date	Start FRM.No	End FRM.No
HEAD SUB ASS'Y, CYLINDER	*3.0	1	1200A-BA8-0000	HEAD SUB ASS'Y, CYLINDER	1	N		20070425		KMYBA8BLS7C000001	
		2	12000-BA8-0000	HEAD SET, CYLINDER	1	Y		20070425		KMYBA8BLS7C000001	
HEAD SET, CYLINDER	*3.0	3	1220A-BA8-0000	HEAD ASS'Y, CYLINDER	1	N	Y	20070425	20111231	KMYBA8BLS7C000001	KMYBA8BLS7C0004392
			1220A-BA8-0010	HEAD ASS'Y, CYLINDER	1	N		20120101		KMYBA8BLS7C0004393	
GASKET, CYLINDER HEAD	*2.8	4	12200-BA8-0000	HEAD COMP., CYLINDER	1	N		20070425		KMYBA8BLS7C000001	
		5	12209-BA6-0050	SEAL, VALVE STEM	4	Y		20070425		KMYBA8BLS7C000001	
COVER, CYLINDER HEAD	*1.8	6	12211-BA8-0000	HOLDER, FR.CAM SHAFT	1	N	N	20070425	20070614	KMYBA8BLS7C000001	KMYBA8BLS7C001463
GASKET, CYLINDER HEAD COVER	*1.8		12211-BA8-0010	HOLDER, FR.CAM SHAFT	1	N		20070615		KMYBA8BLS7C001464	
		7	12251-BA8-0000	GASKET, CYLINDER HEAD	1	Y		20070425		KMYBA8BLS7C000001	
PLUG, SPARK	0.5	8	12301-BA8-0000	COVER, CYLINDER HEAD	1	Y	N	20070425	20070614	KMYBA8BLS7C000001	KMYBA8BLS7C001463
			12301-BA8-0010	COVER, CYLINDER HEAD	1	N	Y	20070615	20090809	KMYBA8BLS7C001464	KMYBA8BLS7C003373
VALVE	*3.2		12301-BZ1-0000	COVER, CYLINDER HEAD	1	N	Y	20090810	20120510	KMYBA8BLS7C003374	KMYBA8BLS7C004524
			12301-BZ1-0010	COVER, CYLN. HEAD	1	Y		20120511		KMYBA8BLS7C004525	
SPRING, VALVE	*3.2	9	12311-BA8-0000	HOLDER, RR.CAM SHAFT	1	N	N	20070425	20070614	KMYBA8BLS7C000001	KMYBA8BLS7C001463
			12311-BA8-0010	HOLDER, RR.CAM SHAFT	1	N		20070615		KMYBA8BLS7C001464	
SENSOR, ENGINE TEMPERATURE	0.6	10	12313-BA8-0000	GASKET, CYLINDER HEAD COVER	1	N	Y	20070425	20070614	KMYBA8BLS7C000001	KMYBA8BLS7C001463
			12313-BA8-0010	GASKET, CYLINDER HEAD COVER	1	Y		20070615		KMYBA8BLS7C001464	
HOLDER, CAM SHAFT	1.4	11	12410-BA8-0000-M1	SENSOR, ENGINE TEMPERATURE	1	Y		20070425		KMYBA8BLS7C000001	
		12	12420-BA8-0000-M1	UNIT, WATER TEMPERATURE GAUGE	1	Y		20070425		KMYBA8BLS7C000001	
		13	14711-BA8-0000	VALVE, INLET	2	Y		20070425		KMYBA8BLS7C000001	
		14	14721-BA8-0000	VALVE, EXHAUST	2	N	Y	20070425	20111231	KMYBA8BLS7C000001	KMYBA8BLS7C0004392
			14721-SAB-0000	VALVE, EXHAUST	2	Y		20120101		KMYBA8BLS7C0004393	

# E-01

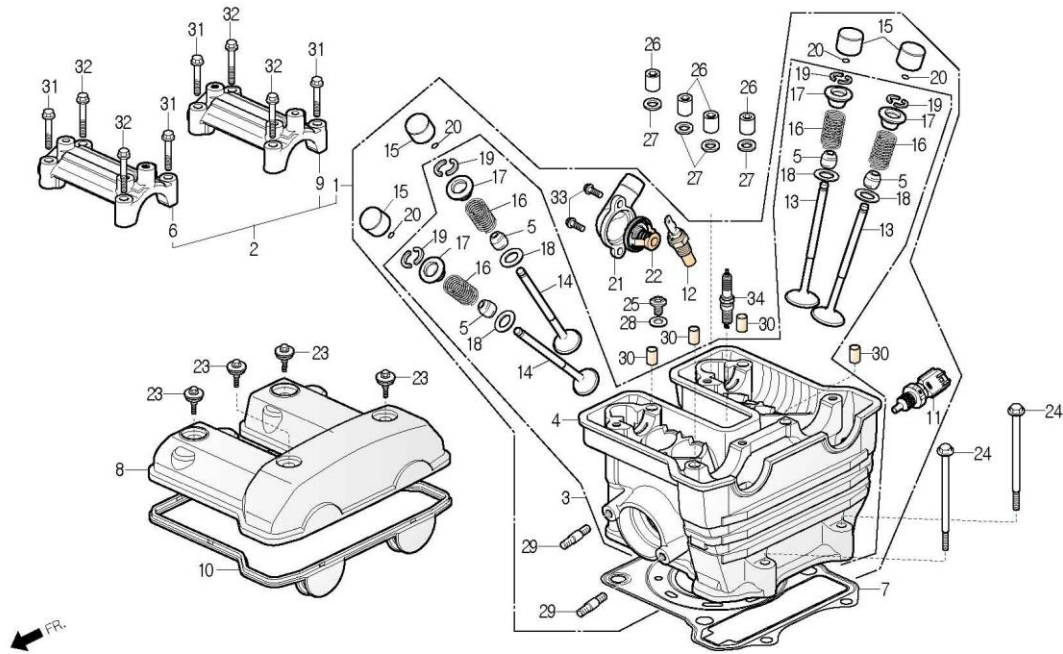
## CYLINDER HEAD



Service item	FRT	Ref No.	Part No.	Description	QTY	A/S	Exch	Start Date	End Date	Start FRM.No	End FRM.No
		15	14731-BA8-0000-M1	LIFT, VALVE	4	Y		20070425		KMYBA8BLS7C000001	
		16	14751-BA6-9610-M1	SPRING, VALVE	4	N	Y	20070425	20070514	KMYBA8BLS7C000001	KMYBA8BLS7C000357
			14751-BA8-0000	SPRING, VALVE	4	Y		20070515		KMYBA8BLS7C000358	
		17	14771-BA8-0000	RETAINER, VALVE SPRING	4	Y		20070425		KMYBA8BLS7C000001	
		18	14775-BA1-0000	SEAT, VALVE SPRING	4	N	Y	20110701	20131028	KMYBA8BLS7C000001	KMYBA8BLSEC004744
			14775-BA1-0010	SEAT, VALVE SPRING	4	Y		20131029		KMYBA8BLSEC004745	
		19	14781-BA6-0000	COTTER, VALVE	8	Y		20070425		KMYBA8BLS7C000001	
		20	1490A-BA8-0000	SHIM ASS'Y	4	Y		20070425		KMYBA8BLS7C000001	
		21	19103-BA8-0000	CAP, THERMOSTAT	1	Y		20070425		KMYBA8BLS7C000001	
		22	19400-BA8-0000-M1	THERMOSTAT ASS'Y.	1	Y		20070425		KMYBA8BLS7C000001	
		23	9000A-BA8-0000	BOLT ASS'Y, SPECIAL, 6x24	4	Y		20070425		KMYBA8BLS7C000001	
		24	90005-SA0-0000	BOLT, FLANGE, SH.6x100	2	Y		20070425		KMYBA8BLS7C000001	
		25	90009-BA7-9000	BOLT, SOCKET, 10mm	1	Y		20070425		KMYBA8BLS7C000001	
		26	90304-BA8-0000	NUT, SPECIAL, 10mm	4	Y		20070425		KMYBA8BLS7C000001	
		27	90412-BA6-0000	WASHER, THRUST, 10mm	4	Y		20130110		KMYBA8BLS7C000001	KMYBA8BLS7C0004573
		28	90443-BA6-0000	WASHER, SEALING, 10mm	1	Y		20070425		KMYBA8BLS7C000001	
		29	S2700-06035-3E	BOLT, STUD, 6x35	2	Y		20070425		KMYBA8BLS7C000001	
		30	S4301-08120	PIN, DOWEL, 8x12	4	Y		20070425		KMYBA8BLS7C000001	
		31	S5701-06035-00	BOLT, FLANGE, 6x35	4	Y		20070425		KMYBA8BLS7C000001	
		32	S5701-06040-00	BOLT, FLANGE, 6x40	4	Y		20070425		KMYBA8BLS7C000001	

# E-01

## CYLINDER HEAD



Service item	FRT	Ref No.	Part No.	Description	QTY	A/S	Exch	Start Date	End Date	Start FRM.No	End FRM.No
		33	S6001-06018-00	BOLT, FLANGE, SH.6x18	2	Y		20070425		KMYBA8BLS7C000001	
		34	S8059-59936-00	PLUG, SPARK	1	Y		20070425		KMYBA8BLS7C000001	