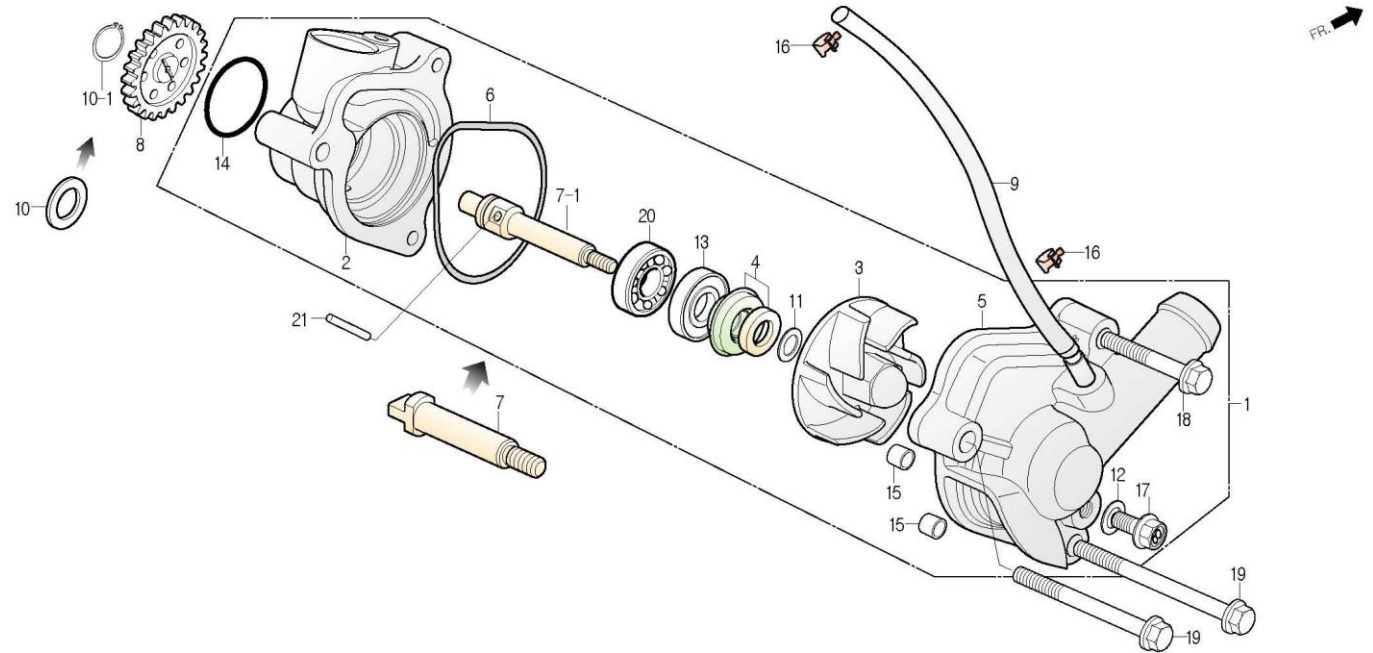


E-06

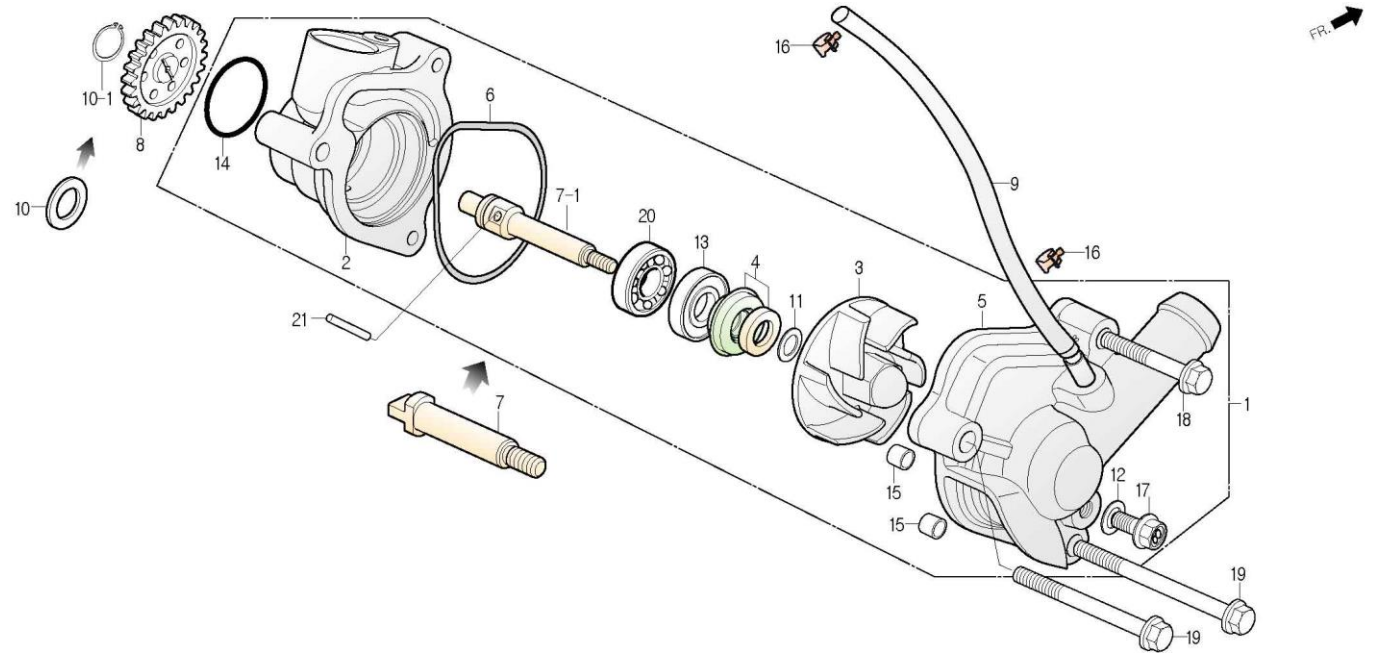
WATER PUMP



Service item	FRT	Ref No.	Part No.	Description	QTY	A/S	Exch	Start Date	End Date	Start FRM.No	End FRM.No
PUMP ASS'Y, WATER (INCLUDE RELATIVE PARTS)	0.6	1	19200-BA8-0000	PUMP ASS'Y, WATER	1	Y	N	20070425	20130109	KMYBA8BLS7C000001	KMYBA8BLSDC004572
			19200-BA8-0010	PUMP ASS'Y, WATER	1	Y		20130110		KMYBA8BLSDC004573	
		2	19210-BA8-0000	BADY, WATER PUMP	1	N		20070425		KMYBA8BLS7C000001	
		3	19215-BA8-0000	IMPELLER, WATER PUMP	1	N		20070425		KMYBA8BLS7C000001	
		4	19217-BA8-0000	SEAL, MECHANICAL	1	Y		20070425		KMYBA8BLS7C000001	
		5	19220-BA8-0000	COVER COMP., WHTER PUMP	1	N		20070425		KMYBA8BLS7C000001	
		6	19226-BA8-0000	SEAL, WATER PUMP COVER	1	N		20070425		KMYBA8BLS7C000001	
		7	19241-BA8-0000	SHAFT, WATER PUMP	1	N	N	20070425	20130109	KMYBA8BLS7C000001	KMYBA8BLSDC004572
		7-1	19241-BZ1-0000	SHAFT, WATER PUMP	1	N		20130110		KMYBA8BLSDC004573	
		8	19242-BA8-0000	GEAR, WATER PUMP DRIVEN	1	Y	N	20070425	20130109	KMYBA8BLS7C000001	KMYBA8BLSDC004572
			19242-BZ1-0000	GEAR, WATER PUMP DRIVEN	1	Y		20130110		KMYBA8BLSDC004573	
		9	19521-BA8-0000	TUBE, WATER PUMP	1	Y		20070425		KMYBA8BLS7C000001	
		10	90412-BA6-0000	WASHER, THRUST, 10mm	1	Y	N	20070425	20130109	KMYBA8BLS7C000001	KMYBA8BLSDC004572
		10-1	S4510-17000	CIR CLIP, EXTERNAL, 17mm	1	Y		20130110		KMYBA8BLSDC004573	
		11	90423-BA8-0000	WASHER, 7.5x13x1.2	1	Y		20070425		KMYBA8BLS7C000001	
		12	90461-BA6-1000	WASHER, SEALING, 12mm	1	Y		20070425		KMYBA8BLS7C000001	
		13	91208-BA6-6710-M1	SEAL, OIL, 11.6x24x10	1	Y		20070425		KMYBA8BLS7C000001	
		14	91309-BA8-0000	O-RING, 30.5x3.0	1	N		20070425		KMYBA8BLS7C000001	
		15	S4301-08120	PIN, DOWEL, 8x12	2	Y		20070425		KMYBA8BLS7C000001	
		16	S5002-41000-04	CLAMP D13, TUBE	2	Y		20120601		KMYBA8BLSDC004549	
		17	S5701-06010-08	BOLT, FLANGE, 6x10	1	N	Y	20070425	20100430	KMYBA8BLS7C000001	KMYBA8BLSAC003562

E-06

WATER PUMP



Service item	FRT	Ref No.	Part No.	Description	QTY	A/S	Exch	Start Date	End Date	Start FRM.No	End FRM.No
			S5701-06010-00	BOLT, FLANGE, 6x10	1	Y		20100329		KMYBA8BLSAC003429	
		18	S6001-06035-00	BOLT, FLANGE, SH.6x35	1	Y		20070425		KMYBA8BLS7C000001	
		19	S6001-06055-00	BOLT, FLANGE, SH.6x55	2	Y		20070425		KMYBA8BLS7C000001	
		20	S6100-60010-00	BEARING, RADIAL BALL 6001	1	Y		20070425		KMYBA8BLS7C000001	
		21	S6220-30233-00	ROLLER	1	Y		20130110		KMYBA8BLSDC004573	