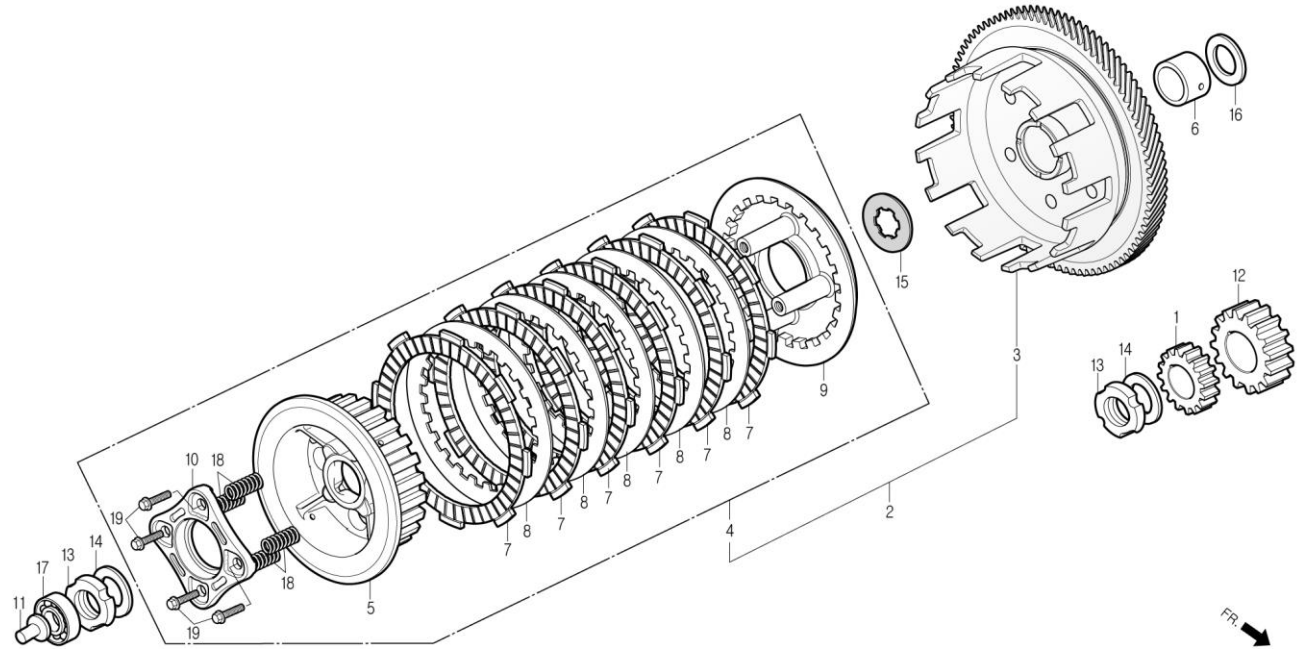


E-07

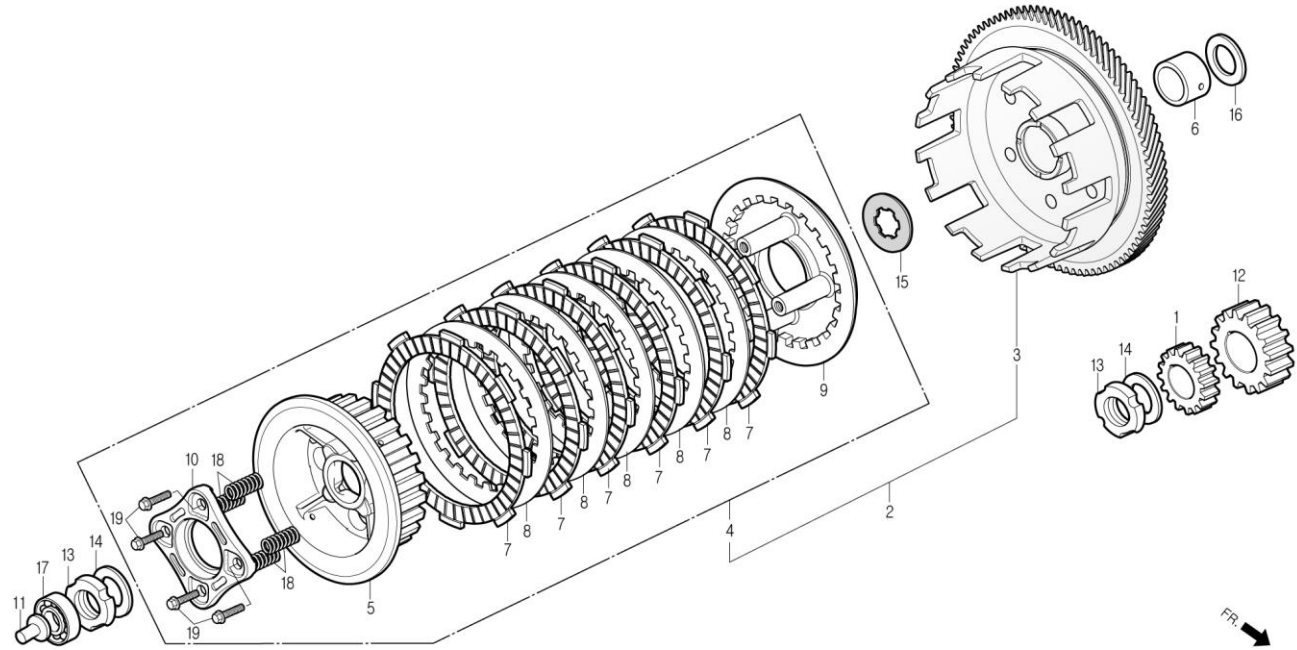
CLUTCH



Service item	FRT	Ref No.	Part No.	Description	QTY	A/S	Exch	Start Date	End Date	Start FRM.No	End FRM.No
OUTER COMP., CLUTCH	0.9	1	19243-BA8-0000	GEAR, WATER PUMP DRIVE	1	Y		20070425		KMYBA8BLS7C000001	
· CENTER, CLUTCH		2	2210A-BA8-0000	CLUTCH ASS'Y	1	Y		20070425		KMYBA8BLS7C000001	
· DISK, CLUTCH FRICTION		3	22100-BA8-0000	OUTER COMP., CLUTCH	1	N	Y	20070425	20100430	KMYBA8BLS7C000001	KMYBA8BLSAC003562
· PLATE, CLUTCH PRESSURE			22100-BA8-0010	OUTER COMP., CLUTCH	1	Y		20100501		KMYBA8BLSAC003563	
PLATE, CLUTCH LIFTER	0.7	4	2212A-BA1-0000	INNER ASSY, CLUTCH	1	Y		20070425		KMYBA8BLS7C000001	
· SPRING, CLUTCH (ONE OR ALL)		5	22121-BA1-0000	CENTER, CLUTCH	1	N		20070425		KMYBA8BLS7C000001	
		6	22131-BA6-9600	GUIDE, CLUTCH OUTER	1	N	Y	20070425	20140930	KMYBA8BLS7C000001	KMYBA8BLSFC005113
			22131-BA1-0000-M1	GUIDE, CLUTCH OUTER	1	Y		20141001		KMYBA8BLSFC005114	
		7	22201-BA6-1000	DISK, CLUTCH FRICTION	6	Y		20070425		KMYBA8BLS7C000001	
		8	22311-BA6-0000	PLATE, CLUTCH	5	Y		20070425		KMYBA8BLS7C000001	
		9	22350-BA1-0000	PLATE, CLUTCH PRESSURE	1	N		20070425		KMYBA8BLS7C000001	
		10	22361-BA7-0000	PLATE, CLUTCH LIFTER	1	N		20070425		KMYBA8BLS7C000001	
		11	22366-BA6-9300	LIFTER ROD, CLUTCH	1	N	Y	20070425	20080608	KMYBA8BLS7C000001	KMYBA8BLS8C002914
			22366-BA8-0000	LIFTER ROD, CLUTCH	1	Y		20080609		KMYBA8BLS8C002915	
		12	23121-BA8-0000	GEAR, PRIMARY DRIVE	1	Y		20070425		KMYBA8BLS7C000001	
		13	90231-BA6-8300	NUT, LOCK, 16mm	2	Y		20070425		KMYBA8BLS7C000001	
		14	90434-BA6-9300	WASHER, 16mm	2	Y		20070425		KMYBA8BLS7C000001	
		15	90461-BA6-0000	WASHER B, SPLINE, 20mm	1	Y		20070425		KMYBA8BLS7C000001	
		16	90465-BA8-0000	WASHER, THRUST, 20mm	1	Y		20070425		KMYBA8BLS7C000001	
		17	91008-BA6-0000	BEARING, RADIAL BALL 16003	1	Y		20070425		KMYBA8BLS7C000001	
		18	S5014-75110	SPRING, CLUTCH	4	Y		20070425		KMYBA8BLS7C000001	

E-07

CLUTCH



Service item	FRT	Ref No.	Part No.	Description	QTY	A/S	Exch	Start Date	End Date	Start FRM.No	End FRM.No
		19	S5701-06025-08	BOLT, FLANGE, 6x25	4	N	Y	20070425	20100430	KMYBA8BLS7C000001	KMYBA8BLSAC003562
			90050-BA6-0000	SPECIAL BOLT, FLANGE, 6x22	4	N		20100501		KMYBA8BLSAC003563	