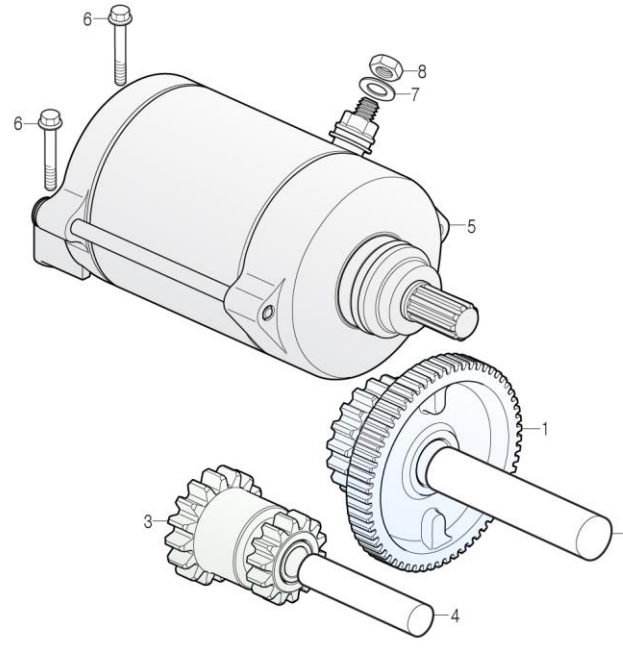


E-10

STARTER MOTOR



Service item	FRT	Ref No.	Part No.	Description	QTY	A/S	Exch	Start Date	End Date	Start FRM.No	End FRM.No
GEAR COMP., REDUCTION · MOTOR ASS'Y, STARTER	0.3	1	28130-BA6-9600	GEAR COMP., REDUCTION	1	Y		20070425		KMYBA8BLS7C000001	
		2	28132-BA6-9300	SHAFT, REDUCTION GEAR	1	Y		20070425		KMYBA8BLS7C000001	
		3	28140-BA6-9600	GEAR COMP., IDLE	1	Y		20070425		KMYBA8BLS7C000001	
GEAR COMP., IDLE	0.7	4	28142-BA6-9000	SHAFT, IDLE GEAR	1	Y		20070425		KMYBA8BLS7C000001	
		5	31200-BA8-0000	MOTOR ASS'Y, START	1	Y		20070425		KMYBA8BLS7C000001	
		6	90117-BA6-0000	BOLT, FLANGE, 6x28	2	Y		20070425		KMYBA8BLS7C000001	
		7	S4002-06080-0S	NUT, HEX, 6mm(Y)	1	Y		20070425		KMYBA8BLS7C000001	
		8	S4101-06800	WASHER, PLAIN, 6mm	1	Y		20070425		KMYBA8BLS7C000001	