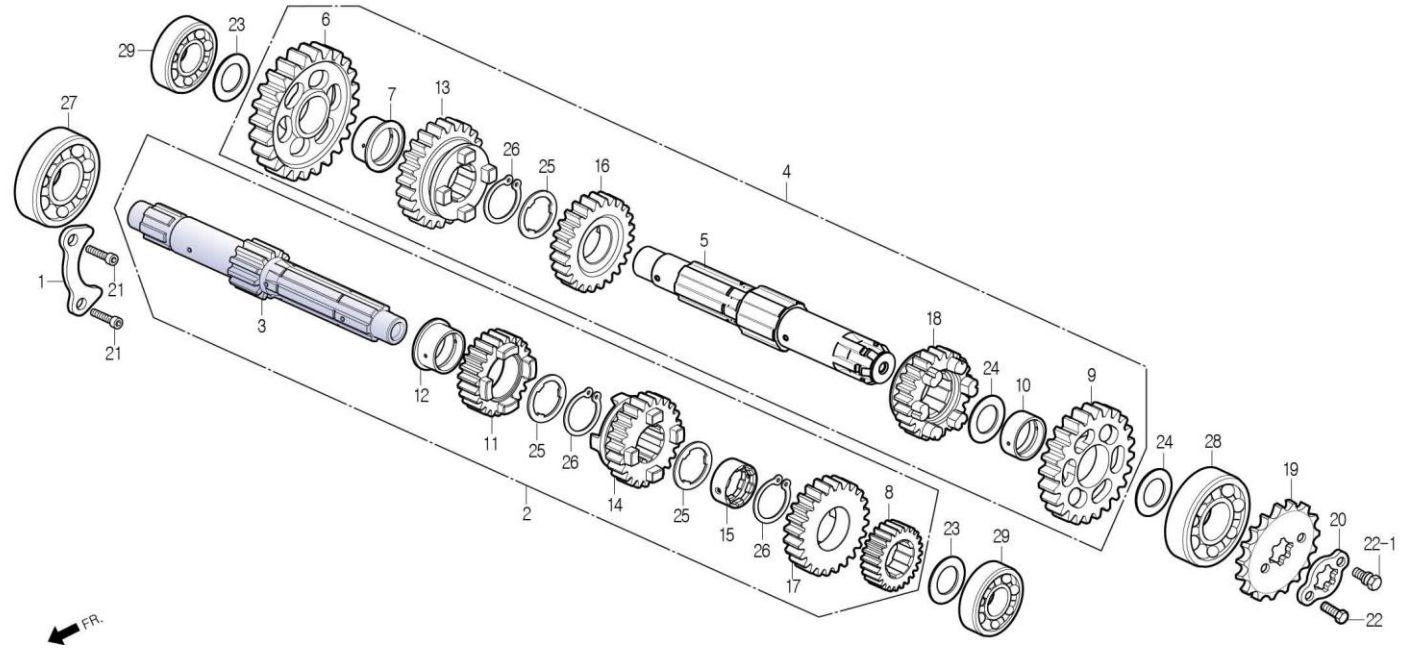


E-13

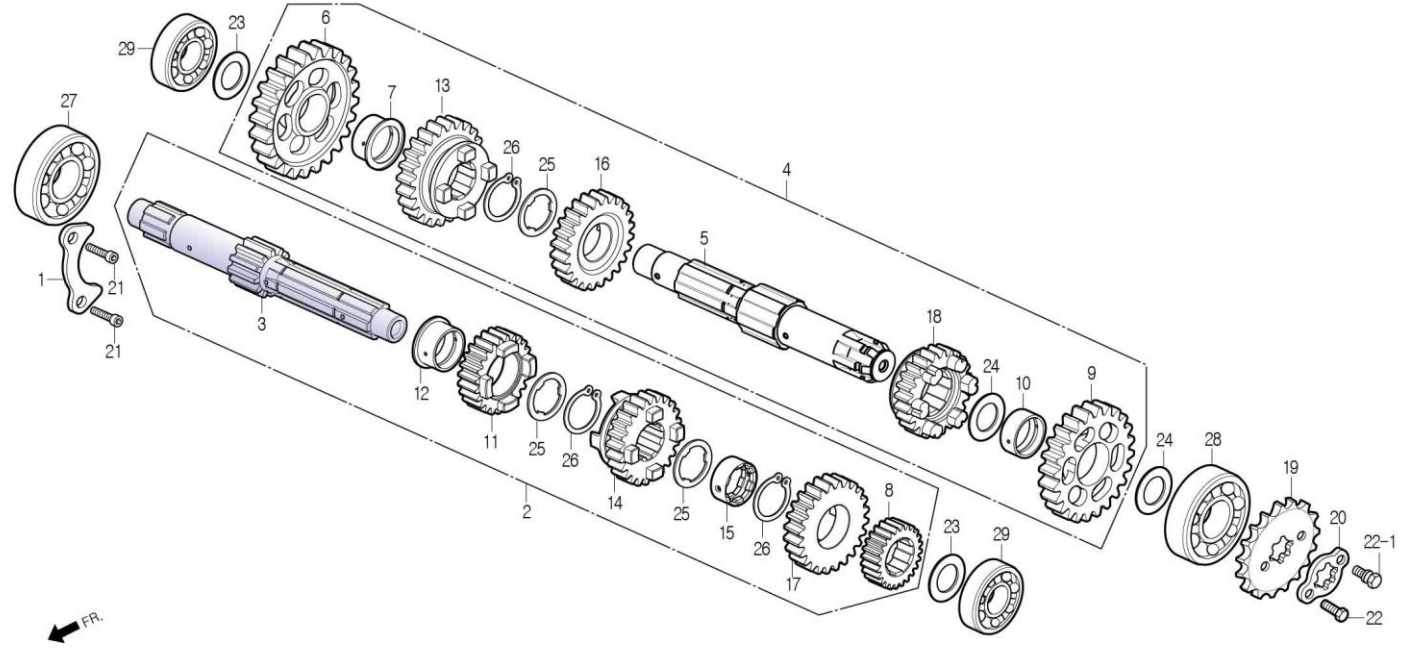
TRANSMISSION



Service item	FRT	Ref No.	Part No.	Description	QTY	A/S	Exch	Start Date	End Date	Start FRM.No	End FRM.No
SHAFT ASS'Y, MAIN	*4.2	1	11108-BA6-9000	PLATE, BEARING SETTING	1	Y		20070425		KMYBA8BLS7C000001	
		2	2321A-BA8-0000	SHAFT ASS'Y, MAIN	1	N	Y	20070425	20150726	KMYBA8BLS7C000001	KMYBA8BLSGC005500
SHAFT ASS'Y, COUNTER	*4.2		2321A-BA8-0000-M1	SHAFT ASS'Y, MAIN	1	Y		20150727		KMYBA8BLSGC005501	
		3	23210-BA8-0000	SHAFT COMP., MAIN	1	N	Y	20070425	20150726	KMYBA8BLS7C000001	KMYBA8BLSGC005500
RADIAL BALL BEARING (6204, 6202Z, 6004)	*4.3		23210-BA8-0000-M1	SHAFT COMP., MAIN	1	Y		20150727		KMYBA8BLSGC005501	
		4	2322A-BA8-0000	SHAFT ASS'Y, COUNTER	1	N	Y	20070425	20150726	KMYBA8BLS7C000001	KMYBA8BLSGC005500
			2322A-BA8-0000-M1	SHAFT ASS'Y, COUNTER	1	Y		20150727		KMYBA8BLSGC005501	
SPROCKET, DRIVE	0.2	5	23221-BA7-9000	SHAFT, COUNTER TRANSMISSION	1	N	Y	20070425	20131211	KMYBA8BLS7C000001	KMYBA8BLSEC004791
			23221-BA7-9000-M1	SHAFT, COUNTER TRANSMISSION	1	Y		20131212		KMYBA8BLSEC004792	
		6	23426-BA8-0000	GEAR, C-1	1	N	Y	20070425	20150726	KMYBA8BLS7C000001	KMYBA8BLSGC005500
			23426-BA8-0000-M1	GEAR, C-1	1	Y		20150727		KMYBA8BLSGC005501	
		7	23427-BA6-9600	COLLAR, C-1	1	N	Y	20070425	20150726	KMYBA8BLS7C000001	KMYBA8BLSGC005500
			23427-BA6-9600-M1	COLLAR, C-1	1	Y		20150727		KMYBA8BLSGC005501	
		8	23441-BA8-0000	GEAR, M-2	1	N	Y	20070425	20150726	KMYBA8BLS7C000001	KMYBA8BLSGC005500
			23441-BA8-0000-M1	GEAR, M-2	1	Y		20150727		KMYBA8BLSGC005501	
		9	23451-BA8-0000	GEAR, C-2	1	N	Y	20070425	20150726	KMYBA8BLS7C000001	KMYBA8BLSGC005500
			23451-BA8-0000-M1	GEAR, C-2	1	Y		20150727		KMYBA8BLSGC005501	
		10	23452-BA6-9000	BUSH, 20x23x9	1	N	Y	20070425	20150726	KMYBA8BLS7C000001	KMYBA8BLSGC005500
			23452-BA6-9000-M1	BUSH, 20x23x9	1	Y		20150727		KMYBA8BLSGC005501	
		11	23461-BA8-0000	GEAR, M-3	1	N	Y	20070425	20150726	KMYBA8BLS7C000001	KMYBA8BLSGC005500
			23461-BA8-0000-M1	GEAR, M-3	1	Y		20150727		KMYBA8BLSGC005501	
		12	23462-BA8-0000	BUSH, 20mm	1	N	Y	20070425	20150726	KMYBA8BLS7C000001	KMYBA8BLSGC005500

E-13

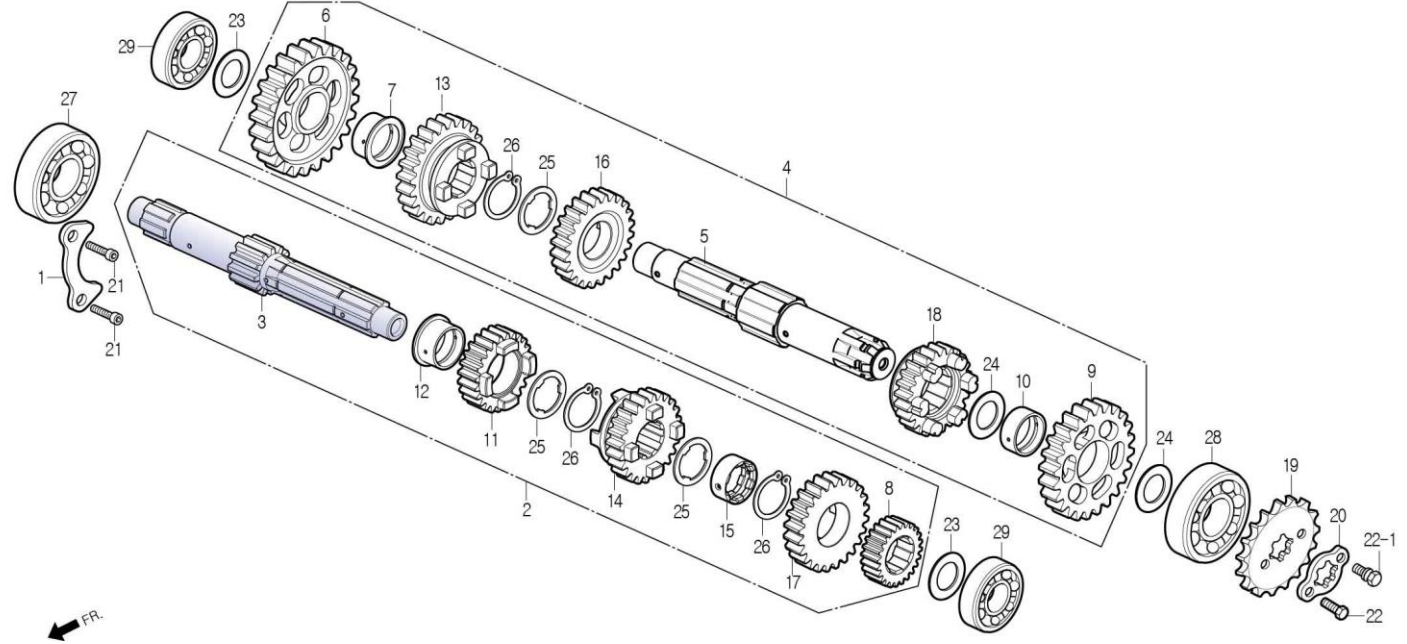
TRANSMISSION



Service item	FRT	Ref No.	Part No.	Description	QTY	A/S	Exch	Start Date	End Date	Start FRM.No	End FRM.No
			23462-BA8-0000-M1	BUSH, 20mm	1	Y		20150727		KMYBA8BLSGC005501	
		13	23471-BA8-0000	GEAR, C-3	1	N	Y	20070425	20150726	KMYBA8BLS7C000001	KMYBA8BLSGC005500
			23471-BA8-0000-M1	GEAR, C-3	1	Y		20150727		KMYBA8BLSGC005501	
		14	23481-BA8-0000	GEAR, M-4	1	N	Y	20070425	20150726	KMYBA8BLS7C000001	KMYBA8BLSGC005500
			23481-BA8-0000-M1	GEAR, M-4	1	Y		20150727		KMYBA8BLSGC005501	
		15	23485-BA6-0000	BUSH, MAIN SHAFT, 23x10	1	Y		20070425		KMYBA8BLS7C000001	
		16	23491-BA6-9600	GEAR, C-4	1	N	Y	20070425	20150726	KMYBA8BLS7C000001	KMYBA8BLSGC005500
			23491-BA6-9600-M1	GEAR, C-4	1	Y		20150727		KMYBA8BLSGC005501	
		17	23501-BA6-9610	GEAR, M-5	1	N	Y	20070425	20150726	KMYBA8BLS7C000001	KMYBA8BLSGC005500
			23501-BA6-9600-M1	GEAR, M-5	1	Y		20150727		KMYBA8BLSGC005501	
		18	23511-BA7-9000	GEAR, C-5	1	N	Y	20070425	20150726	KMYBA8BLS7C000001	KMYBA8BLSGC005500
			23511-BA7-9000-M1	GEAR, C-5	1	Y		20150727		KMYBA8BLSGC005501	
		19	23801-BA6-8900-M1	SPROCKET, DRIVE (14T: LONCIN)	1	Y		20070425		KMYBA8BLS7C000001	
		20	23811-BA6-6010	PLATE A2, FIXING	1	Y		20070425		KMYBA8BLS7C000001	
		21	90001-BA6-9300	BOLT, SOCKET, 6x16	2	Y		20070425		KMYBA8BLS7C000001	
		22	90084-CB2-0000	BOLT, DRIVE SPROCKET FIXING	1	Y		20070425		KMYBA8BLS7C000001	
		22-1	90085-BA7-0000-EU	BOLT, DRIVE SPROCKET FIXING, 6x9	1	Y		20070425		KMYBA8BLS7C000001	
		23	90451-BA6-0000	WASHER, THRUST, 15mm	2	N	Y	20070425	20150726	KMYBA8BLS7C000001	KMYBA8BLSGC005500
			90451-BA6-0000-M1	WASHER, THRUST (15mm)	2	Y		20150727		KMYBA8BLSGC005501	
		24	90454-BA6-0000	WASHER, THRUST, 20mm(1.0t)	2	N	Y	20070425	20150726	KMYBA8BLS7C000001	KMYBA8BLSGC005500
			90454-BZ1-0000-M1	WASHER, THRUST, 20mm(1.0t)	2	Y		20150727		KMYBA8BLSGC005501	
		25	90455-BA6-0000	WASHER A, SPLINE, 20mm	3	N	Y	20070425	20150726	KMYBA8BLS7C000001	KMYBA8BLSGC005500

E-13

TRANSMISSION



Service item	FRT	Ref No.	Part No.	Description	QTY	A/S	Exch	Start Date	End Date	Start FRM.No	End FRM.No
			90455-BA6-0000-M1	WASHER A, SPLINE, 20mm	3	Y		20150727		KMYBA8BLSGC005501	
		26	90605-BA6-0000	SET RING, 20mm	3	N	Y	20070425	20150726	KMYBA8BLS7C000001	KMYBA8BLSGC005500
			90605-BZ1-0000-M1	SET RING, 20mm	3	Y		20150727		KMYBA8BLSGC005501	
		27	S6100-60040-00	BEARING, RADIAL BALL 6004	1	Y		20070425		KMYBA8BLS7C000001	
		28	S6100-62040-00	BEARING, RADIAL BALL 6204	1	Y		20070425		KMYBA8BLS7C000001	
		29	S6120-62020-00	BEARING, RADIAL BALL 6202Z	2	Y		20070425		KMYBA8BLS7C000001	