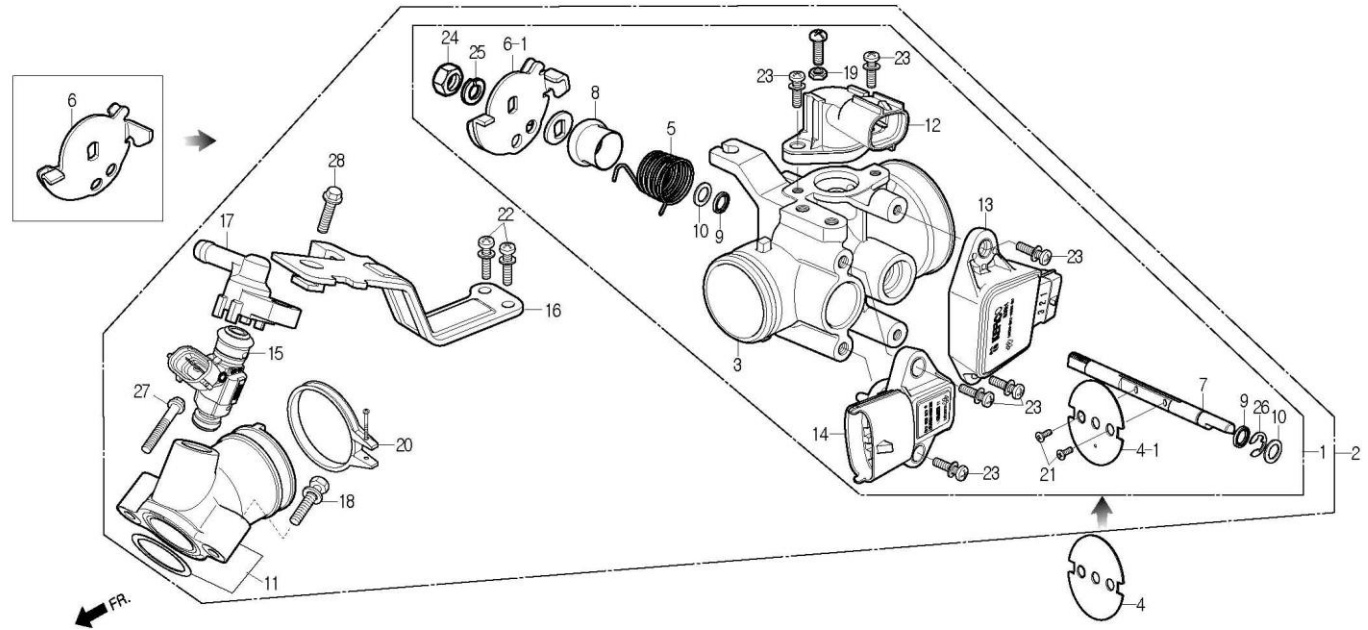


E-15

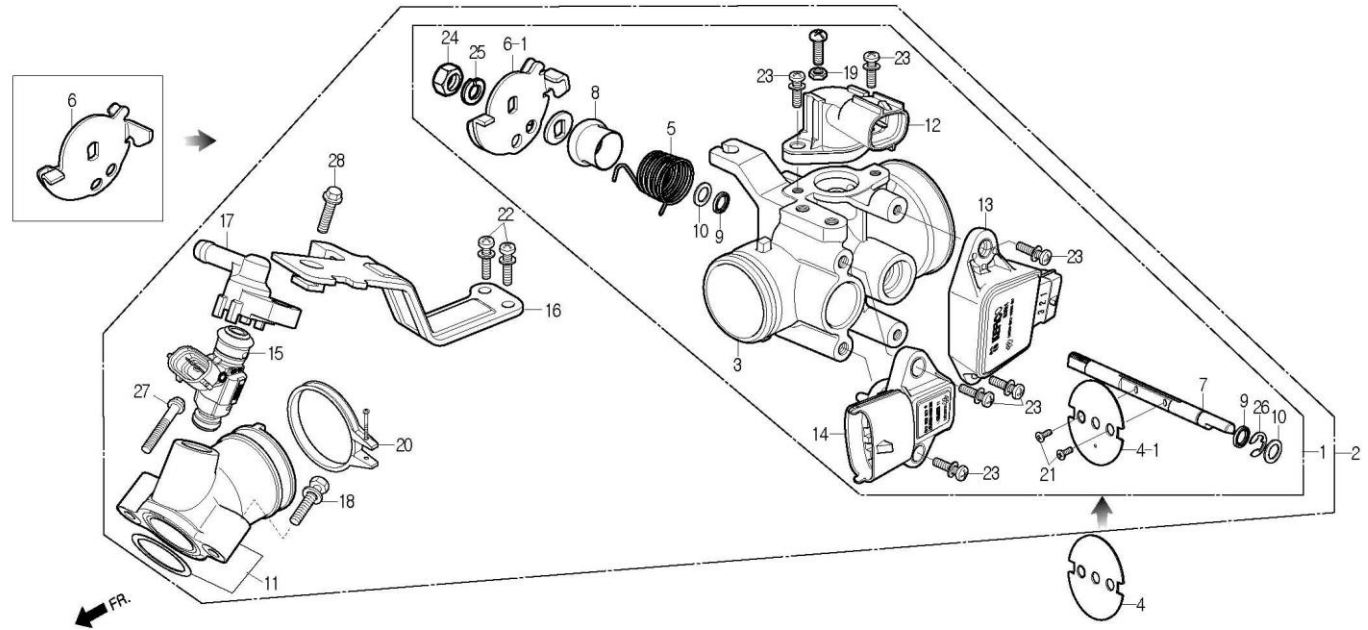
THROTTLE BODY



Service item	FRT	Ref No.	Part No.	Description	QTY	A/S	Exch	Start Date	End Date	Start FRM.No	End FRM.No
BODY ASS'Y, THROTTLE	0.5	1	1620A-BA8-0000	BODY ASS'Y, THROTTLE	1	N	Y	20070425	20120321	KMYBA8BLS7C000001	KMYBA8BLS7C000001
			1620A-BA8-0010	BODY ASS'Y, THROTTLE	1	Y		20120322		KMYBA8BLS7C000001	KMYBA8BLS7C000001
		2	1620B-BA8-0000	BODY SET, THROTTLE	1	N	Y	20070425	20120321	KMYBA8BLS7C000001	KMYBA8BLS7C000001
			1620B-BA8-0010	BODY SET, THROTTLE	1	Y		20120322		KMYBA8BLS7C000001	KMYBA8BLS7C000001
		3	16200-SA4-R300	BODY, THROTTLE	1	N	Y	20070425	20070614	KMYBA8BLS7C000001	KMYBA8BLS7C001463
			16200-SA7-R300	BODY, THROTTLE	1	N	N	20070615	20111219	KMYBA8BLS7C001464	KMYBA8BLS7C004380
			16200-SA7-R310	BODY, THROTTLE	1	N		20111220		KMYBA8BLS7C004381	
		4	16202-BA1-R300	VALVE, THROTTLE	1	N	Y	20070425	20120321	KMYBA8BLS7C000001	KMYBA8BLS7C000001
		4-1	16202-SAB-0000	VALVE, THROTTLE	1	N		20120322		KMYBA8BLS7C000001	KMYBA8BLS7C000001
		5	16203-BA1-R300	SPRING, THROTTLE RETURN	1	N		20070425		KMYBA8BLS7C000001	
		6	16204-BA1-R300	LEVER COMP., THROTTLE	1	N	Y	20070425	20090629	KMYBA8BLS7C000001	KMYBA8BLS7C003373
			16204-BA1-R310	LEVER COMP., THROTTLE	1	N	N	20090630	20111219	KMYBA8BLS7C003374	KMYBA8BLS7C004380
		6-1	16204-BA1-R320	LEVER COMP., THROTTLE	1	N		20111220		KMYBA8BLS7C004381	
		7	16205-SA4-R300	SHAFT, THROTTLE	1	N		20070425		KMYBA8BLS7C000001	
		8	16206-BA1-R300	COLLAR, THROTTLE RETURN SPRING	1	N		20070425		KMYBA8BLS7C000001	
9	16207-BA1-R300	SEAL, OIL	2	N		20070425		KMYBA8BLS7C000001			
10	16208-BA1-R300	COLLAR, SIDE	2	N		20070425		KMYBA8BLS7C000001			
11	16210-BA8-0000	INSULATOR COMP., THROTTLE BODY	1	Y		20070425		KMYBA8BLS7C000001			
12	16220-BA1-R310-M1	ACTUATOR, IDLE SPEED	1	Y		20070425		KMYBA8BLS7C000001			
13	16230-BA1-R300-M1	SENSOR, THROTTLE POSITION	1	Y		20070425		KMYBA8BLS7C000001			
14	16240-BA1-R300-M1	SENSOR, MAP & AT	1	Y		20070425		KMYBA8BLS7C000001			
15	16300-BA1-R300-M1	INJECTOR ASS'Y	1	Y		20070425		KMYBA8BLS7C000001			

E-15

THROTTLE BODY



Service item	FRT	Ref No.	Part No.	Description	QTY	A/S	Exch	Start Date	End Date	Start FRM.No	End FRM.No
		16	16310-BA8-0000	BRACKET COMP., INJECTOR	1	Y		20070425		KMYBA8BLS7C000001	
		17	16500-BA1-R310	CAP, INJECTOR	1	N	Y	20070425	20100131	KMYBA8BLS7C000001	KMYBA8BLSAC003428
			16500-BA1-R320	CAP, INJECTOR	1	Y		20100201		KMYBA8BLSAC003429	
		18	90086-SB1-0000-EU	BOLT, CARBURETOR INSULATOR, 6x32	1	Y		20070425		KMYBA8BLS7C000001	
		19	90206-CB2-0000	NUT, TAPPET ADJUSTING	1	N		20070425		KMYBA8BLS7C000001	
		20	90652-BA6-6600	BAND 46, AIR CLEANER CONNECTING TUBE	1	Y		20070425		KMYBA8BLS7C000001	
		21	S3600-03005	SCREW, FLAT, 3x5	2	N		20070425		KMYBA8BLS7C000001	
		22	S3892-05010-18	SCREW, WASHER, 5x10	2	N	Y	20070425	20100430	KMYBA8BLS7C000001	KMYBA8BLSAC003562
			S3892-05010-10	SCREW, WASHER, 5x10	2	Y		20100501		KMYBA8BLSAC003563	
		23	S3893-04012-18	SCREW, WASHER, 4x12	6	N		20070425		KMYBA8BLS7C000001	
		24	S4001-08000-0S	NUT, HEX, 8mm	1	N		20070425		KMYBA8BLS7C000001	
		25	S4111-08800	WASHER, SPRING, 8mm	1	N		20070425		KMYBA8BLS7C000001	
		26	S4540-06018	E-RING, 6mm	1	N		20070425		KMYBA8BLS7C000001	
		27	S5701-06035-00	BOLT, FLANGE, 6x35	1	Y		20110701		KMYBA8BLSACC004033	
		28	S6001-06018-00	BOLT, FLANGE, SH.6x18	1	Y		20070425		KMYBA8BLS7C000001	