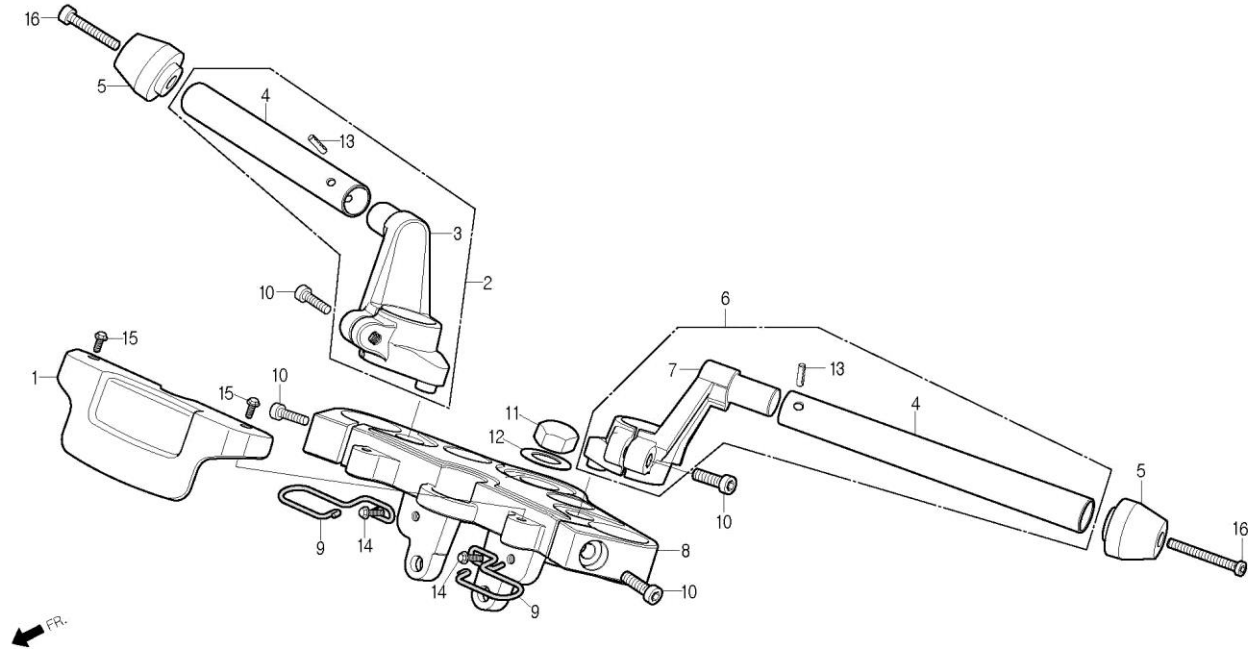


# F-05

## HANDLE PIPE / TOP BRIDGE



Service item	FRT	Ref No.	Part No.	Description	QTY	A/S	Exch	Start Date	End Date	Start FRM.No	End FRM.No
PIPE COMP., RH.STEERING HANDLE	0.4	1	35105-BA8-0000	COVER, COMBI.SWITCH	1	Y		20070425		KMYBA8BLS7C000001	
		2	53100-BA8-0000	PIPE COMP., RH.STEERING HANDLE	1	Y		20070425		KMYBA8BLS7C000001	
PIPE COMP., LH.STEERING HANDLE	0.4	3	53101-BA4-0000	BOSS, RH.HANDLE	1	N		20070425		KMYBA8BLS7C000001	
		4	53102-BA4-0000	BAR COMP., HANDLE	2	N		20070425		KMYBA8BLS7C000001	
BRIDGE, FORK TOP	0.6	5	53106-BA8-0000	WEIGHT CAP, HANDLE	2	Y		20070425		KMYBA8BLS7C000001	
		6	53150-BA4-0000	PIPE COMP., LH.STEERING HANDLE	1	Y		20070425		KMYBA8BLS7C000001	
		7	53151-BA4-0000	BOSS, LH.HANDLE	1	N		20070425		KMYBA8BLS7C000001	
		8	53230-BA4-0000	BRIDGE, FORK TOP	1	Y		20070425		KMYBA8BLS7C000001	
		9	61314-BA8-0000	GUIDE, CABLE	2	Y		20070425		KMYBA8BLS7C000001	
		10	90112-BA5-0000	BOLT, SOCKET, 8x30	4	Y		20070425		KMYBA8BLS7C000001	
		11	90304-HD2-0000	NUT, STEERING STEM	1	Y		20070425		KMYBA8BLS7C000001	
		12	90503-BA4-0000	WASHER, STEERING STEM NUT(SUS)	1	Y		20070425		KMYBA8BLS7C000001	
		13	S4305-25082	PIN, SPRING, 2.5x8	2	N		20070425		KMYBA8BLS7C000001	
		14	S5701-06012-07	BOLT, FLANGE, 6x12	2	Y		20070425		KMYBA8BLS7C000001	
		15	S6001-06016-07	BOLT, FLANGE, SH.6x16	2	Y		20070425		KMYBA8BLS7C000001	
		16	S6700-08050-00	BOLT, SOCKET, 8x50	2	Y		20070425		KMYBA8BLS7C000001	