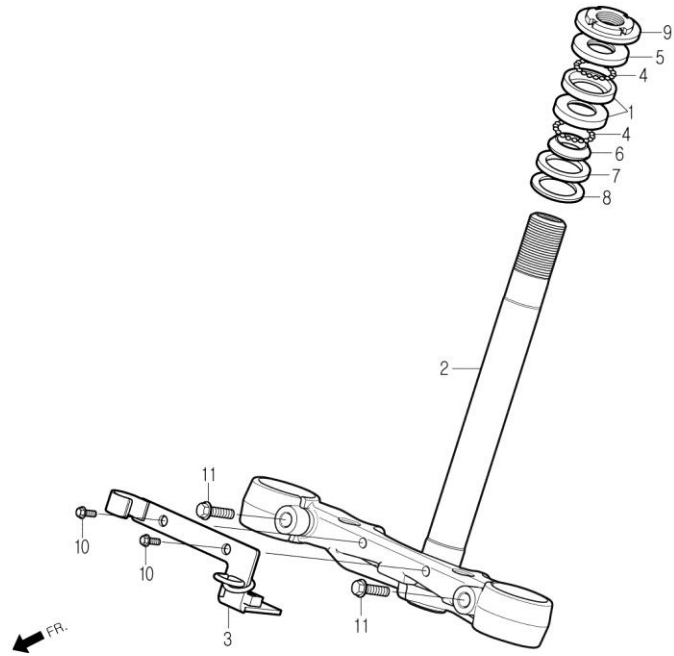


F-06

STEERING STEM



Service item	FRT	Ref No.	Part No.	Description	QTY	A/S	Exch	Start Date	End Date	Start FRM.No	End FRM.No
STAY, FR.BRACKET HOSE	0.1	1	50301-CB2-0100	RACE, STEERING BALL	2	Y		20070425		KMYBA8BLS7C000001	
		2	53200-BA4-0000-M1	STEM COMP., STEERING(SANYE)	1	Y		20070425		KMYBA8BLS7C000001	
RACE, STEERING BALL	0.9	3	53206-BA4-0000	STAY, FR.BRAKE HOSE	1	Y		20070425		KMYBA8BLS7C000001	
.RACE, STEERING BOTTOM CONE		4	53210-BA6-9600	BALL ASS'Y, STEERING STEEL	2	Y		20070425		KMYBA8BLS7C000001	
		5	53211-CB2-0100	RACE, STEERING TOP CONE	1	Y		20070425		KMYBA8BLS7C000001	
STEM COMP., STEERING	1.2	6	53212-BA6-0100	RACE, STEERING BOTTOM CONE	1	Y		20070425		KMYBA8BLS7C000001	
RACE, STEERING TOP CONE	0.5	7	53214-CB2-0100	DUST SEAL, STEERING HEAD	1	Y		20070425		KMYBA8BLS7C000001	
.THREAD COMP.,STEERING HEAD TOP		8	53215-CB2-0000	WASHER, STEERING HEAD DUST-SEAL	1	Y		20070425		KMYBA8BLS7C000001	
		9	53220-BA6-0000	THREAD COMP., STEERING HEAD TOP	1	Y		20070425		KMYBA8BLS7C000001	
		10	S5701-06012-07	BOLT, FLANGE, 6x12	2	Y		20070425		KMYBA8BLS7C000001	
		11	S5801-08035-08	BOLT, FLANGE, 8x35	2	N	Y	20070425	20100430	KMYBA8BLS7C000001	KMYBA8BLSAC003562
			S5801-08035-00	BOLT, FLANGE, 8x35	2	Y		20100501		KMYBA8BLSAC003563	