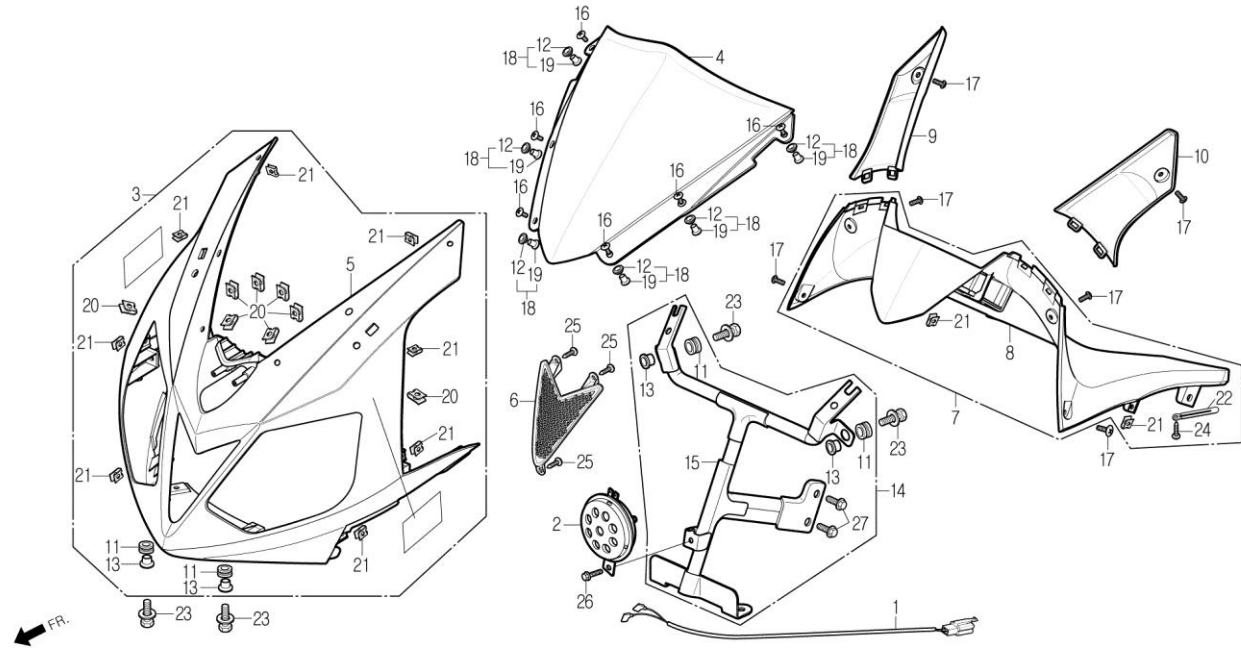


F-08

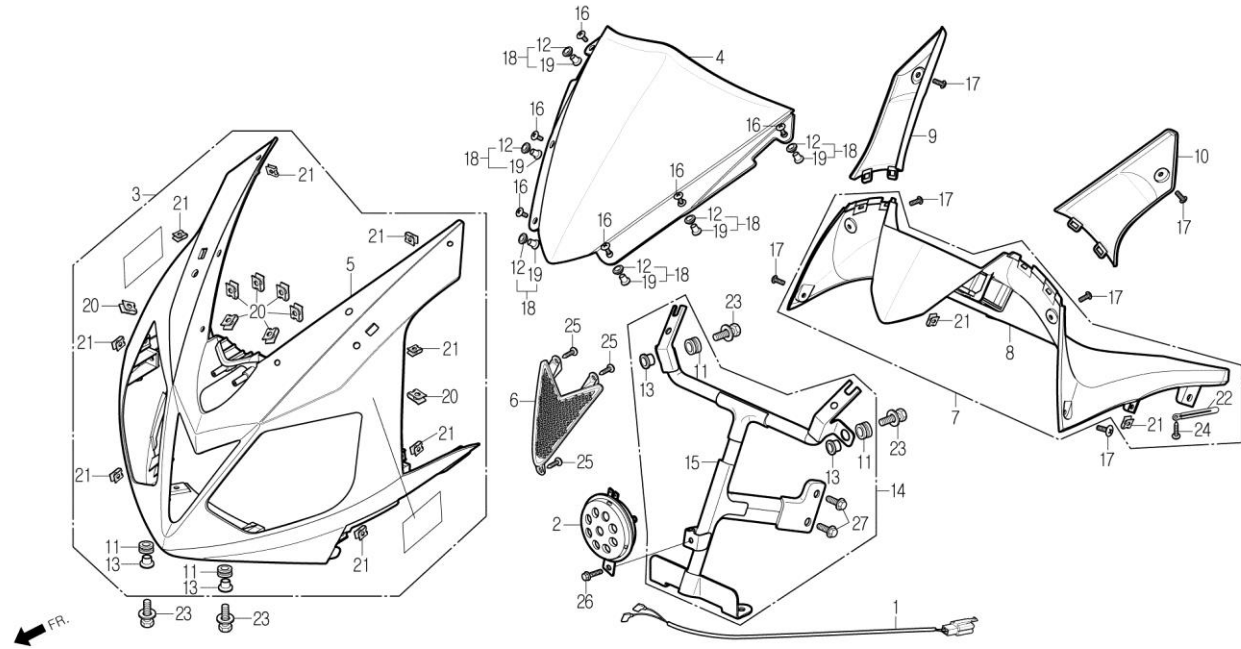
FRONT COWL



Service item	FRT	Ref No.	Part No.	Description	QTY	A/S	Exch	Start Date	End Date	Start FRM.No	End FRM.No	
COWL ASS'Y, FR	0.5	1	32102-BA8-0000	SUB HARNESS, HORN	1	N	Y	20070425	20100531	KMYBA8BLS7C000001	KMYBA8BLSAC003590	
			32102-BZ1-0000	SUB HARNESS, HORN	1	Y		20100601		KMYBA8BLSAC003591		
PANEL ASS'Y, INNER	0.2	2	38110-BA4-0000	HORN COMP.	1	Y		20070425		KMYBA8BLS7C000001		
STAY ASS'Y, FR COWL	0.7	3	6420A-BA8-RZ00-GB	COWL ASS'Y, FR. (G/BLUE)	1	Y	N	20070425	20090228	KMYBA8BLS7C000001	KMYBA8BLS9C003018	
			6420A-BA8-RZ10-GB	COWL ASS'Y, FRONT (G/BLUE)	1	Y		20090301	20110630	KMYBA8BLS9C003019	KMYBA8BLS9C003019	
HORN COMP.	0.5	4	6420A-BA8-RZ00-IB	COWL ASS'Y, FR. (I/BLUE)	1	Y	N	20070425	20090228	KMYBA8BLS7C000001	KMYBA8BLS9C003018	
			6420A-BA8-RZ10-IB	COWL ASS'Y, FRONT (I/BLUE)	1	Y		20090301	20110630	KMYBA8BLS9C003019	KMYBA8BLS9C003019	
			6420A-BA8-RZ00-LR	COWL ASS'Y, FR. (L/RED)	1	Y	N	20070425	20090228	KMYBA8BLS7C000001	KMYBA8BLS9C003018	
			6420A-BA8-RZ10-LR	COWL ASS'Y, FRONT (L/RED)	1	Y		20090301	20110630	KMYBA8BLS9C003019	KMYBA8BLS9C003019	
			6420A-BA8-RZ00-WP	COWL ASS'Y, FR. (P/WHITE)	1	Y	N	20070425	20090228	KMYBA8BLS7C000001	KMYBA8BLS9C003018	
			6420A-BA8-RZ10-WP	COWL ASS'Y, FRONT (P/WHITE)	1	Y		20090301	20110630	KMYBA8BLS9C003019	KMYBA8BLS9C003019	
			6420A-BA8-0020-GB	COWL ASS'Y, FR. (G/BLUE)	1	Y		20110701		KMYBA8BLS9C003019	KMYBA8BLS9C003019	
			6420A-BA8-0010-LR	COWL ASS'Y, FR. (L/RED)	1	Y	N	20090301	20110630	KMYBA8BLS9C003019	KMYBA8BLS9C003019	
			6420A-BA8-0020-LR	COWL ASS'Y, FR. (L/RED)	1	Y		20110701		KMYBA8BLS9C003019	KMYBA8BLS9C003019	
			6420A-BA8-0010-TY	COWL ASS'Y, FR. (T/GRAY)	1	Y		20100329	20110630	KMYBA8BLSAC003429	KMYBA8BLSAC003429	
			6420A-BA8-0010-WP	COWL ASS'Y, FR. (P/WHITE)	1	Y	N	20100329	20110630	KMYBA8BLSAC003429	KMYBA8BLSAC003429	
			6420A-BA8-0020-WP	COWL ASS'Y, FR. (P/WHITE)	1	Y		20110701		KMYBA8BLSAC003429	KMYBA8BLSAC003429	
			4	64201-BA8-0000	SCREEN, WIND	1	Y		20070425		KMYBA8BLS7C000001	
			5	64204-BA8-0000-GB	FRONT COWL (G/BLUE)	1	N		20070425		KMYBA8BLS7C000001	
	64204-BA8-0000-IB	FRONT COWL (I/BLUE)	1	N		20070425	20110630	KMYBA8BLS7C000001	KMYBA8BLS9C003018			
	64204-BA8-0000-LR	FRONT COWL (L/RED)	1	N		20070425		KMYBA8BLS7C000001				
	64204-BA8-0000-WP	FRONT COWL (P/WHITE)	1	N		20070425		KMYBA8BLS7C000001				
	64204-BA8-0000-TY	FRONT COWL (T/GRAY)	1	N		20100329	20110630	KMYBA8BLSAC003429	KMYBA8BLSAC003429			

F-08

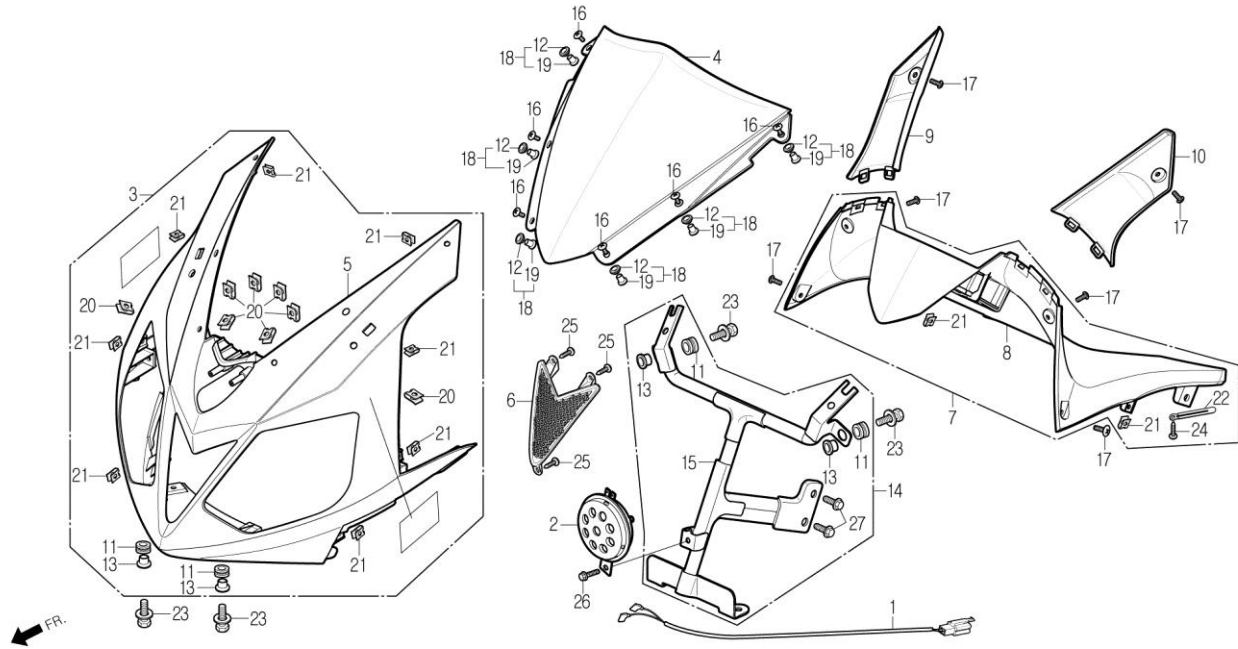
FRONT COWL



Service item	FRT	Ref No.	Part No.	Description	QTY	A/S	Exch	Start Date	End Date	Start FRM.No	End FRM.No
		6	64206-BA8-0000	FRONT GRILL	1	Y		20070425		KMYBA8BLS7C000001	
		7	6421A-BA8-0000	PANEL ASS'Y, INNER	1	Y		20070425		KMYBA8BLS7C000001	
		8	64210-BA8-0000	INNER PANEL	1	N		20070425		KMYBA8BLS7C000001	
		9	64211-BA8-0000	RH, SUB PANEL	1	Y		20070425		KMYBA8BLS7C000001	
		10	64212-BA8-0000	LH, SUB PANEL	1	Y		20070425		KMYBA8BLS7C000001	
		11	64212-X10-0000	RUBBER, FR.COWL MOUNT	4	N		20070425		KMYBA8BLS7C000001	
		12	64213-BA8-0000	RUBBER B, WIND SCREEN	6	N		20070425		KMYBA8BLS7C000001	
		13	64213-X10-0000	COLLAR, FR.COWL SETTING	4	N		20070425		KMYBA8BLS7C000001	
		14	6423A-BA8-0000	STAY ASS'Y, FR.COWL	1	Y		20070425		KMYBA8BLS7C000001	
		15	64230-BA8-0000	STAY COMP., FR.COWL	1	N		20070425		KMYBA8BLS7C000001	
		16	90111-BA8-0000	SCREW, WIND SCREEN SETTING	6	Y		20070425		KMYBA8BLS7C000001	
		17	90192-SA8-0000	SCREW, SPECIAL, 5x12	6	Y		20070425		KMYBA8BLS7C000001	
		18	9020A-BA8-0000	NUT ASS'Y, SCREEN SETTING	6	Y		20070425		KMYBA8BLS7C000001	
		19	90202-BA8-0000	NUT, WIND SCREEN SETTING	6	N		20070425		KMYBA8BLS7C000001	
		20	90305-SE5-1000	NUT, CLIP, 6mm	8	Y		20070425		KMYBA8BLS7C000001	
		21	90677-SE5-0030	NUT, CLIP, 5mm	10	Y		20070425		KMYBA8BLS7C000001	
		22	91411-BA6-9600	CLIP, 2x90	1	Y		20070425		KMYBA8BLS7C000001	
		23	S3404-06028-08	BOLT, WASHER, 6x28	4	N	Y	20070425	20100430	KMYBA8BLS7C000001	KMYBA8BLSAC003562
			S3404-06028-00	BOLT, WASHER, 6x28	4	Y		20100501		KMYBA8BLSAC003563	
		24	S3903-25220	SCREW, TAPPING, 5x12	1	N	Y	20070425	20100430	KMYBA8BLS7C000001	KMYBA8BLSAC003562
			S3903-25210	SCREW, TAPPING, 5x12	1	Y		20100501		KMYBA8BLSAC003563	

F-08

FRONT COWL



Service item	FRT	Ref No.	Part No.	Description	QTY	A/S	Exch	Start Date	End Date	Start FRM.No	End FRM.No
		25	S3903-34320	SCREW, TAPPING, 4X12	3	N	Y	20070425	20100430	KMYBA8BLS7C000001	KMYBA8BLSAC003562
			S3903-34310	SCREW, TAPPING, 4X12	3	Y		20100501		KMYBA8BLSAC003563	
		26	S5701-06012-07	BOLT, FLANGE, 6x12	1	Y		20070425		KMYBA8BLS7C000001	
		27	S5701-08016-08	BOLT, FLANGE, 8x16	2	N	Y	20070425	20100430	KMYBA8BLS7C000001	KMYBA8BLSAC003562
			S5701-08016-00	BOLT, FLANGE, 8x16	2	Y		20100501		KMYBA8BLSAC003563	