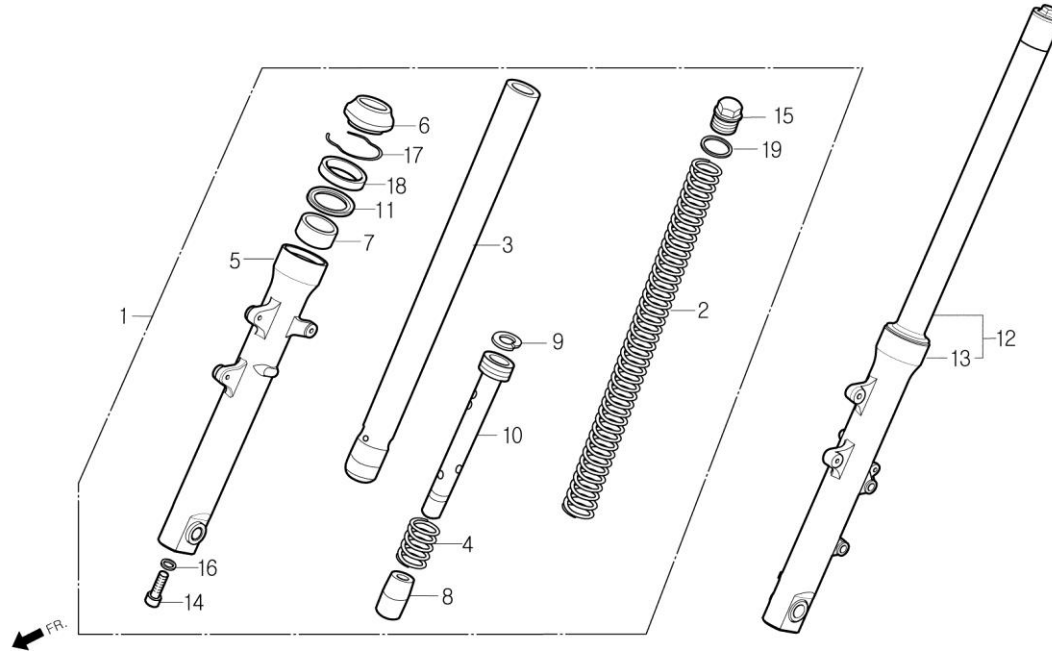


F-09

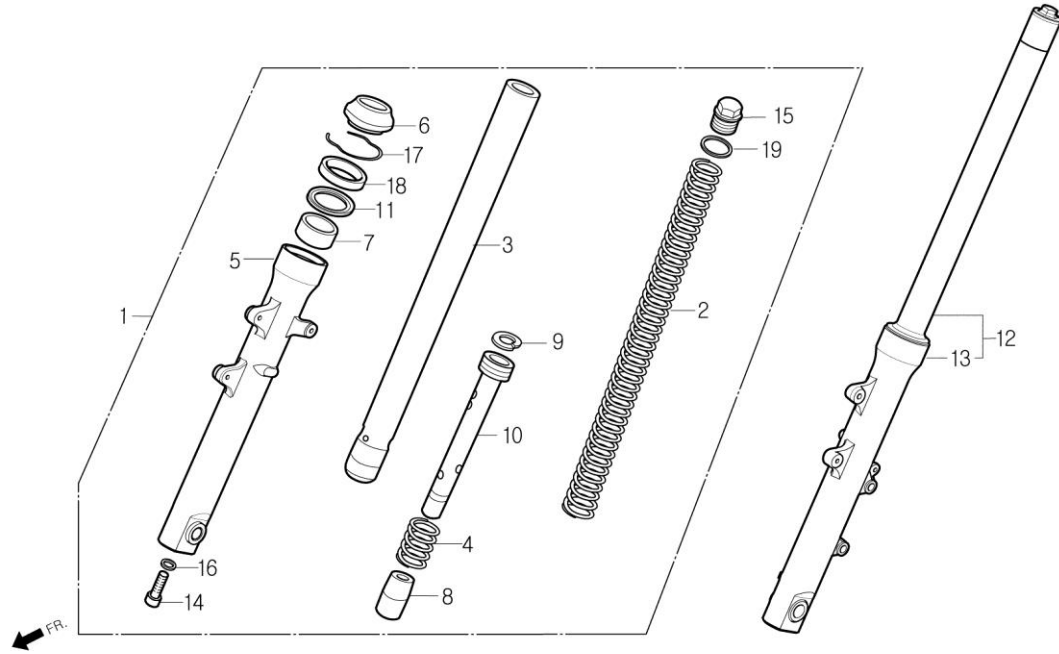
FRONT FORK



Service item	FRT	Ref No.	Part No.	Description	QTY	A/S	Exch	Start Date	End Date	Start FRM.No	End FRM.No	
FORK ASS'Y, FR. (ADD 0.1 FOR EACH)	0.4	1	51400-BA4-0010	FORK ASS'Y, RH.FR.	1	Y	N	20070425	20071130	KMYBA8BLS7C000001	KMYBA8BLS8C002309	
			51400-BA8-RZ00	FORK ASS'Y, RH.FR.	1	Y		20071201		KMYBA8BLS8C002310		
SPRING, FR.FORK	0.2	2	51401-BA4-0000	SPRING, FR.FORK	2	N		20070425		KMYBA8BLS7C000001		
			51410-BA4-0000	PIPE COMP., FORK	2	N		20070425		KMYBA8BLS7C000001		
PIPE COMP., FORK (ADD 0.4 FOR EACH)	0.6	5	51412-BA5-9000	SPRING, REBOUND	2	N		20070425		KMYBA8BLS7C000001		
			51420-BA4-0010	CASE, RH.BOTTOM	1	N	N	20070425	20071130	KMYBA8BLS7C000001	KMYBA8BLS8C002309	
CASE, BOTTOM (ADD 0.5 FOR EACH)	0.7	5	51420-BA8-RZ00	CASE, RH.BOTTOM	1	N		20071201		KMYBA8BLS8C002310		
			6	51425-BA5-9000	SEAL, DUST	2	N		20070425		KMYBA8BLS7C000001	
			7	51427-BA5-9000	BUSH, GUIDE	2	N		20070425		KMYBA8BLS7C000001	
			8	51432-BA5-9000	PIECE, OIL LOCK	2	N		20070425		KMYBA8BLS7C000001	
			9	51437-BA5-9000	RING, PISTON	2	N		20070425		KMYBA8BLS7C000001	
			10	51440-BA4-0000	PIPE, SEAT	2	N		20070425		KMYBA8BLS7C000001	
			11	51441-BA5-9000	RING, BACK UP	2	N		20070425		KMYBA8BLS7C000001	
			12	51500-BA4-0010	FORK ASS'Y, LH.FR.	1	Y	N	20070425	20071130	KMYBA8BLS7C000001	KMYBA8BLS8C002309
				51500-BA8-RZ00	FORK ASS'Y, LH.FR.	1	Y		20071201		KMYBA8BLS8C002310	
			13	51520-BA4-0010	CASE, LH.BOTTOM	1	N	N	20070425	20071130	KMYBA8BLS7C000001	KMYBA8BLS8C002309
				51520-BA8-RZ00	CASE, LH.BOTTOM	1	N		20071201		KMYBA8BLS8C002310	
			14	90116-BA6-7210-M1	BOLT, SOCKET, 8mm	2	N		20070425		KMYBA8BLS7C000001	
			15	90123-BA5-9000	BOLT, FR.FORK	2	N		20070425		KMYBA8BLS7C000001	
			16	90544-HD2-0000	WASHER, SPECIAL, 8mm	2	N		20070425		KMYBA8BLS7C000001	
			17	90601-BA5-9000	RING, OIL SEAL STOP	2	N		20070425		KMYBA8BLS7C000001	

F-09

FRONT FORK



Service item	FRT	Ref No.	Part No.	Description	QTY	A/S	Exch	Start Date	End Date	Start FRM.No	End FRM.No
		18	91255-BA5-9000	SEAL, OIL	2	N		20070425		KMYBA8BLS7C000001	
		19	91356-BA5-9000	O-RING	2	N		20070425		KMYBA8BLS7C000001	