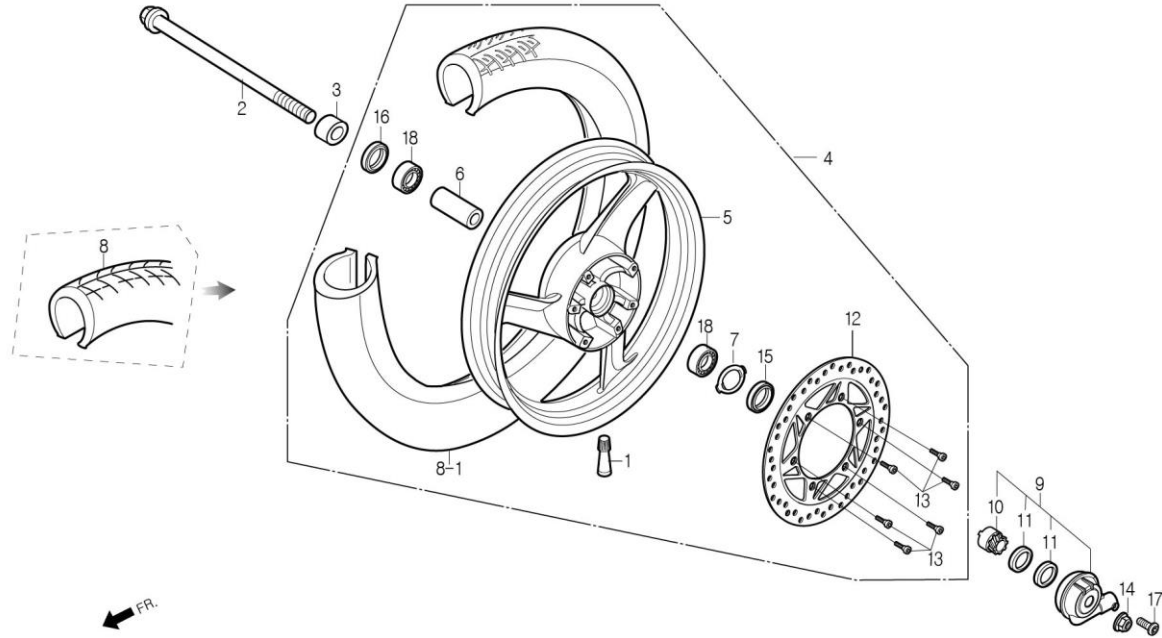


F-11

FRONT WHEEL



Service item	FRT	Ref No.	Part No.	Description	QTY	A/S	Exch	Start Date	End Date	Start FRM.No	End FRM.No
AXLE, FR.WHEEL	0.2	1	42753-BA7-0000	VALVE, RIM, TR413	1	Y		20070425		KMYBA8BLS7C000001	
		2	44301-BA4-0000	AXLE, FR.WHEEL	1	Y		20070425		KMYBA8BLS7C000001	
WHEEL, FR.CASTING	0.7	3	44311-BA5-0000	COLLAR, FR.WHEEL SIDE	1	Y		20070425		KMYBA8BLS7C000001	
		4	44600-BA4-0010	WHEEL ASS'Y, FR.	1	N	Y	20070425	20110630	KMYBA8BLS7C000001	KMYBA8BLS7C000001
TIRE, FR.	0.9		44600-BA8-0000-LR	WHEEL ASS'Y,FR.(L/RED)	1	N		20110701		KMYBA8BLS7C000001	KMYBA8BLS7C000001
			44600-BA8-0000-WP	WHEEL ASS'Y,FR.(P/WHITE)	1	N		20110701		KMYBA8BLS7C000001	KMYBA8BLS7C000001
COLLAR, FR.DISTANCE	0.6	5	44601-BA4-0010	WHEEL, FR.CASTING(OPAQUE BLACK)	1	Y		20070425		KMYBA8BLS7C000001	
· BEARING, RADIAL BALL 6302U (ADD 0.1 FOR EACH)		6	44620-BA5-9000	COLLAR, FR.DISTANCE	1	Y		20070425		KMYBA8BLS7C000001	
		7	44680-BA6-0000	RETAINER, GEAR BOX	1	Y		20070425		KMYBA8BLS7C000001	
BOX ASS'Y, SPEEDOMETER GEAR	0.2	8	44711-BA4-0000-M1	TIRE, FR.	1	N	Y	20070425	20140331	KMYBA8BLS7C000001	KMYBA8BLS7C000001
		8-1	44711-BA4-0000-M2	TIRE, FRONT(110/70-17 54P)	1	Y		20140401		KMYBA8BLS7C000001	KMYBA8BLS7C000001
DISK, LH.FR.BRAKE	0.4	9	44800-BA4-0000-M1	BOX ASS'Y, SPEEDOMETER GEAR	1	Y		20070425		KMYBA8BLS7C000001	
		10	44806-BA4-0000-M1	GEAR, SPEEDOMETER	1	N		20070425		KMYBA8BLS7C000001	
		11	44809-BA6-0000-M3	WASHER, GEAR	2	N		20070425		KMYBA8BLS7C000001	
		12	45351-BA4-0000-M1	DISK, LH.FR.BRAKE	1	Y		20070425		KMYBA8BLS7C000001	
		13	90106-BA5-0000	BOLT, FR.DISK, 8x24	6	Y		20070425		KMYBA8BLS7C000001	
		14	90305-CB2-0030	NUT, U, 14mm	1	Y		20070425		KMYBA8BLS7C000001	
		15	91257-BA6-0030	SEAL, OIL, 28x42x7	1	Y		20070425		KMYBA8BLS7C000001	
		16	91258-BA6-0060	SEAL, DUST, 40x50x5	1	Y		20070425		KMYBA8BLS7C000001	
		17	S3700-05016-0G	SCREW, OVAL, 5x16	1	Y		20070425		KMYBA8BLS7C000001	
		18	S6140-63020-10	BEARING, RADIAL BALL 6302U	2	Y		20070425		KMYBA8BLS7C000001	