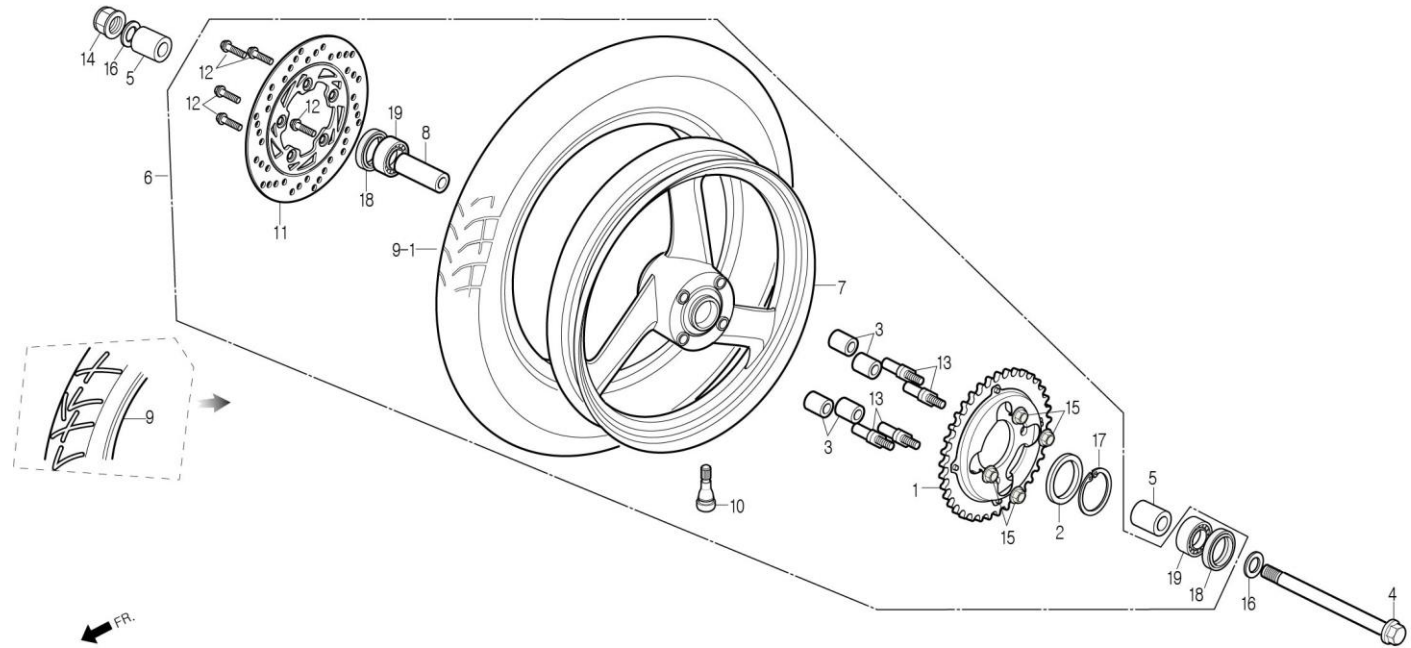


F-16

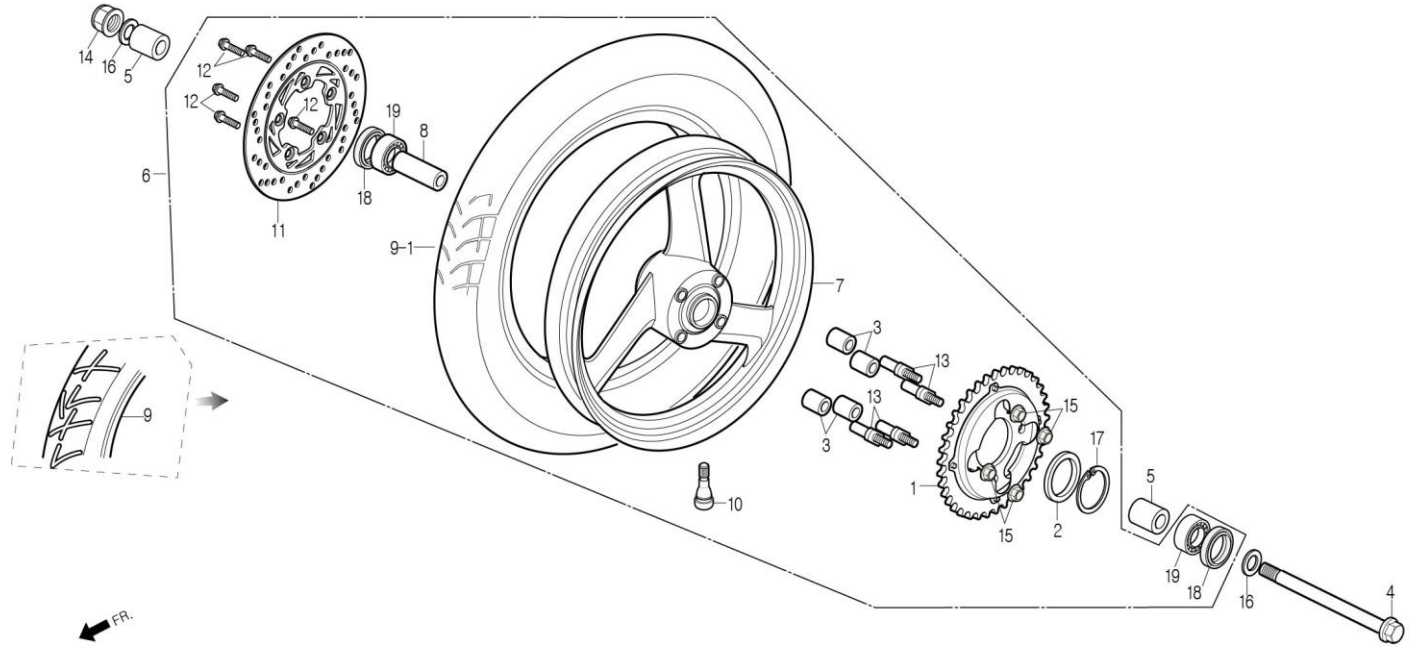
REAR WHEEL



Service item	FRT	Ref No.	Part No.	Description	QTY	A/S	Exch	Start Date	End Date	Start FRM.No	End FRM.No
SPROCKET COMP., FINAL DRIVEN	0.5	1	41200-BA1-R300	SPROCKET COMP., FINAL DRIVEN 45T	1	Y		20070425		KMYBA8BLS7C000001	
		2	41202-BA5-0000	WASHER, 53mm	1	Y		20070425		KMYBA8BLS7C000001	
WHEEL COMP., RR. CASTING	0.8	3	41241-BA6-0200	BUSH, RR.WHEEL DAMPER	4	Y		20070425		KMYBA8BLS7C000001	
		4	42301-BA4-0000	AXLE, RR.WHEEL	1	Y		20070425		KMYBA8BLS7C000001	
COLLAR, RR. DISTANCE	0.6	5	42304-BA7-0000	COLLAR, RR.WHEEL SIDE	2	Y		20070425		KMYBA8BLS7C000001	
BEARING, RADIAL BALL 6302U (ADD 0.1 FOR EACH)		6	42600-BA8-0000	WHEEL ASS'Y, RR.	1	N	N	20070425	20110630	KMYBA8BLS7C000001	KMYBA8BLS7C000001
			42600-BA8-0010-LR	WHEEL ASS'Y, RR.(L/RED)	1	N		20110701		KMYBA8BLS7C000001	KMYBA8BLS7C000001
TIRE, RR.	0.9		42600-BA8-0010-WP	WHEEL ASS'Y, RR.(P/WHITE)	1	N		20110701		KMYBA8BLS7C000001	KMYBA8BLS7C000001
		7	42601-BA8-0000	WHEEL COMP., RR. CASTING	1	Y		20070425		KMYBA8BLS7C000001	
DISK, FR. BRAKE	0.5	8	42620-BA5-9000	COLLAR, RR. DISTANCE	1	Y		20070425		KMYBA8BLS7C000001	
		9	42711-BA4-0000-M1	TIRE, RR.	1	N	Y	20070425	20140331	KMYBA8BLS7C000001	KMYBA8BLS7C000001
		9-1	42711-BA4-0000-M2	TIRE, REAR(140/60-17 69P)	1	Y		20140401		KMYBA8BLS7C000001	KMYBA8BLS7C000001
		10	42753-BA7-0000	VALVE, RIM, TR413	1	Y		20070425		KMYBA8BLS7C000001	
		11	45351-BA8-0000	DISK, RR. BRAKE	1	Y		20070425		KMYBA8BLS7C000001	
		12	90106-BA5-0000	BOLT, FR. DISK, 8x24	5	Y		20070425		KMYBA8BLS7C000001	
		13	90128-BA1-0000	BOLT, DRIVEN SPROKET FIXING	4	Y		20070425		KMYBA8BLS7C000001	
		14	90305-CB2-0030	NUT, U, 14mm	1	Y		20070425		KMYBA8BLS7C000001	
		15	90308-BA6-6700	NUT, FLANGE, 10mm	4	Y		20070425		KMYBA8BLS7C000001	
		16	90504-BA5-0000	WASHER, REAR AXLE	2	Y		20070425		KMYBA8BLS7C000001	
		17	90664-BA6-8100	CIR CLIP, EXTERNAL, 53	1	Y		20070425		KMYBA8BLS7C000001	
		18	91257-BA6-0030	SEAL, OIL, 28x42x7	2	Y		20070425		KMYBA8BLS7C000001	

F-16

REAR WHEEL



Service item	FRT	Ref No.	Part No.	Description	QTY	A/S	Exch	Start Date	End Date	Start FRM.No	End FRM.No
		19	S6140-63020-10	BEARING, RADIAL BALL 6302U	2	Y		20070425		KMYBA8BLS7C000001	