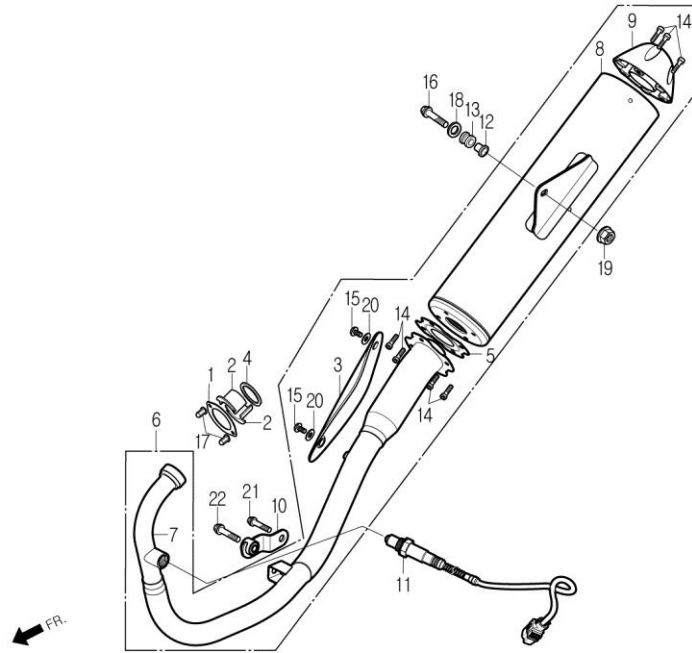


F-17

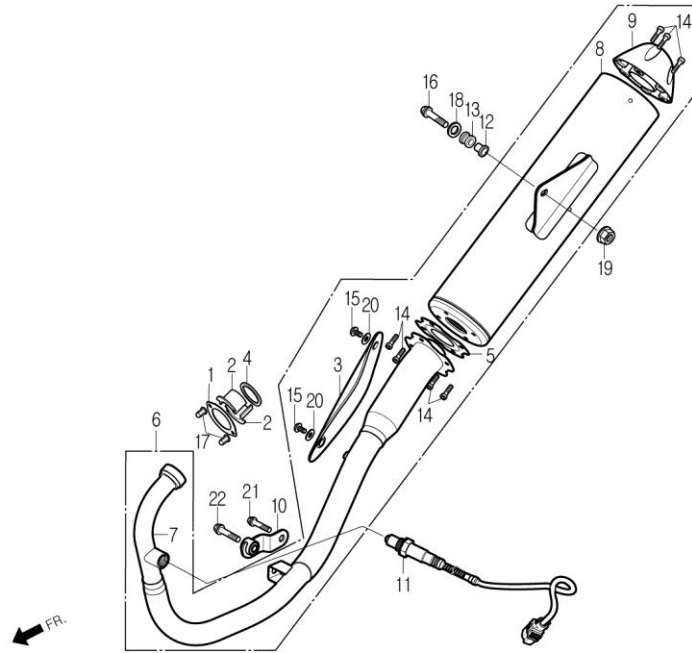
EXHAUST MUFFLER



Service item	FRT	Ref No.	Part No.	Description	QTY	A/S	Exch	Start Date	End Date	Start FRM.No	End FRM.No
MUFFLER COMP., EXHAUST	0.2	1	18231-BA7-9000	JOINT, EXHAUST PIPE	1	Y		20070425		KMYBA8BLS7C000001	
· PIPE COMP., EXHAUST		2	18233-BA6-0000	COLLAR, EXHAUST PIPE JOINT	2	Y		20070425		KMYBA8BLS7C000001	
· MUFFLER COMP.	0.1	3	18240-BA8-0000	PROTECTOR, MUFFLER	1	Y		20070425		KMYBA8BLS7C000001	
		4	18291-BA6-0000	GASKET, EXHAUST PIPE	1	N	Y	20070425	20070630	KMYBA8BLS7C000001	KMYBA8BLS8C001971
			18291-BA6-RB00	GASKET, EXHAUST PIPE	1	Y		20070701		KMYBA8BLS8C001972	
		5	18292-BA4-0010	GASKET, EXHAUST PIPE FLANGE	1	Y		20070425		KMYBA8BLS7C000001	
		6	18300-BA8-RZ00	MUFFLER ASS'Y.	1	Y		20070425		KMYBA8BLS7C000001	
		7	18320-BA8-RZ00	PIPE COMP., EXHAUST	1	Y		20070425		KMYBA8BLS7C000001	
		8	18340-BA8-0000	MUFFLER COMP.	1	Y		20070425		KMYBA8BLS7C000001	
		9	18345-BA8-0000	CAP, MUFFLER BODY	1	Y		20070425		KMYBA8BLS7C000001	
		10	18373-BA8-0000	STAY COMP., MUFFLER DAMPER	1	Y		20070425		KMYBA8BLS7C000001	
		11	18410-BA4-R300-M1	SENSOR, OXYGEN	1	Y		20070425		KMYBA8BLS7C000001	
		12	50607-BA5-9000	COLLAR, MOUNT RUBBER	1	Y		20070425		KMYBA8BLS7C000001	
		13	50608-BA5-9000	RUBBER, MUFFLER MOUNT	1	Y		20070425		KMYBA8BLS7C000001	
		14	90010-BA4-0000	BOLT, SOCKET, 6x16	7	Y		20070425		KMYBA8BLS7C000001	
		15	90011-SE1-0000	SCREW, SPECIAL, 5x8	2	Y		20070425		KMYBA8BLS7C000001	
		16	90158-BA5-0000	BOLT, SPECIAL FLANGE, 8x45	1	Y		20070425		KMYBA8BLS7C000001	
		17	90304-BA7-0000	NUT, HEX CAP, 6mm	2	Y		20070425		KMYBA8BLS7C000001	
		18	90534-HD2-0000	WASHER, 8.3mm	1	Y		20070425		KMYBA8BLS7C000001	
		19	S4050-08080	NUT, FLANGE, 8mm	1	Y		20070425		KMYBA8BLS7C000001	
		20	S4101-05000	WASHER, PLAIN, 5mm	2	Y		20070425		KMYBA8BLS7C000001	

F-17

EXHAUST MUFFLER



Service item	FRT	Ref No.	Part No.	Description	QTY	A/S	Exch	Start Date	End Date	Start FRM.No	End FRM.No
		21	S5701-08012-08	BOLT, FLANGE, 8x12	1	N	Y	20070425	20100430	KMYBA8BLS7C000001	KMYBA8BLSAC003562
			S5701-08012-00	BOLT, FLANGE, 8x12	1	Y		20100501		KMYBA8BLSAC003563	
		22	S5701-08030-08	BOLT, FLANGE, 8x30	1	N	Y	20070425	20100430	KMYBA8BLS7C000001	KMYBA8BLSAC003562
			S5701-08030-00	BOLT, FLANGE, 8x30	1	Y		20100501		KMYBA8BLSAC003563	