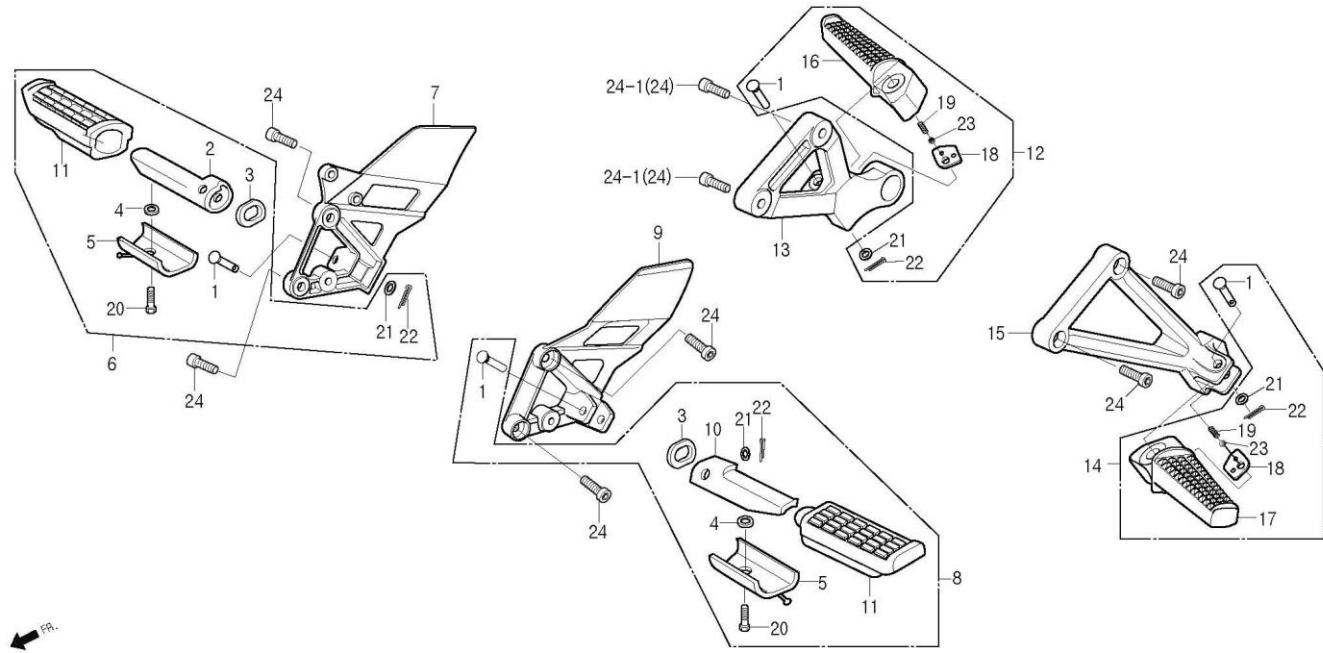


F-21

STEP



Service item	FRT	Ref No.	Part No.	Description	QTY	A/S	Exch	Start Date	End Date	Start FRM.No	End FRM.No
BAR ASS'Y, MAIN STEP	0.1	1	50603-BA4-0000	PIN, MAIN STEP BAR JOINT	4	N		20070425		KMYBA8BLS7C000001	
· HOLDER, MAIN STEP		2	50612-BA6-0000	BAR, RH.MAIN STEP	1	N		20070425		KMYBA8BLS7C000001	
· RUBBER, MAIN STEP		3	50614-BA6-0000	PLATE, MAIN STEP SIDE	2	N		20070425		KMYBA8BLS7C000001	
		4	50618-BA6-0000	COLLAR, 6.5x11x3	2	N		20070425		KMYBA8BLS7C000001	
BAR ASS'Y, PILLION STEP	0.1	5	50619-BA4-0000	PLATE, MAIN STEP LOWER	2	N		20070425		KMYBA8BLS7C000001	
· HOLDER, PILLION STEP		6	5063A-BA4-0000	BAR ASS'Y, RH.MAIN STEP	1	Y		20070425		KMYBA8BLS7C000001	
· BAR, PILLION STEP		7	50630-BA4-0000	HOLDER, RH.MAIN STEP	1	Y		20070425		KMYBA8BLS7C000001	
		8	5064A-BA4-0000	BAR ASS'Y, LH.MAIN STEP	1	Y		20070425		KMYBA8BLS7C000001	
		9	50640-BA4-0000	HOLDER, LH.MAIN STEP	1	Y		20070425		KMYBA8BLS7C000001	
		10	50643-BA6-0000	BAR, LH.MAIN STEP	1	N		20070425		KMYBA8BLS7C000001	
		11	50661-BA6-0000	RUBBER, MAIN STEP	2	N		20070425		KMYBA8BLS7C000001	
		12	5071A-BA4-0000	BAR ASS'Y, RH.PILLION STEP	1	Y		20070425		KMYBA8BLS7C000001	
		13	50710-BA4-0000	HOLDER, RH.PILLION STEP	1	Y		20070425		KMYBA8BLS7C000001	
		14	5072A-BA4-0000	BAR ASS'Y, LH.PILLION STEP	1	Y		20070425		KMYBA8BLS7C000001	
		15	50720-BA4-0000	HOLDER, LH.PILLION STEP	1	Y		20070425		KMYBA8BLS7C000001	
		16	50812-SE1-0000	BAR, RH.PILLION STEP	1	N		20070425		KMYBA8BLS7C000001	
		17	50813-SE1-0000	BAR, LH.PILLION STEP	1	N		20070425		KMYBA8BLS7C000001	
		18	50814-BA4-0000	PLATE, PILLION STEP	2	N		20070425		KMYBA8BLS7C000001	
		19	50815-SE1-0000	SPRING, PILLION STEP	2	N		20070425		KMYBA8BLS7C000001	
		20	S2201-06012-0A	BOLT, HEX, 6x12	2	N		20070425		KMYBA8BLS7C000001	

