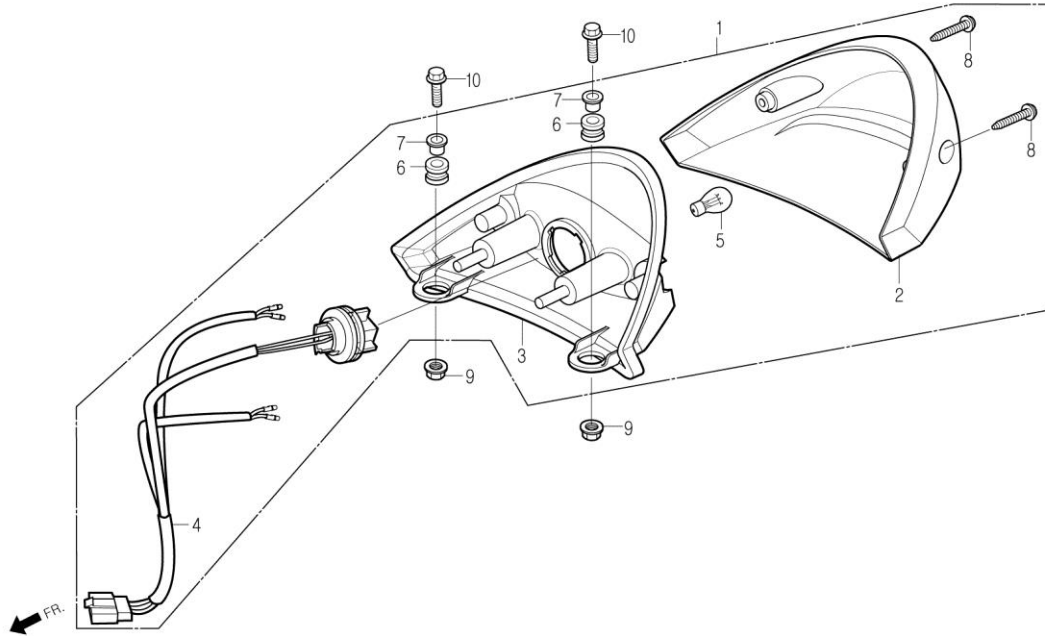


# F-30

## TAIL LIGHT



Service item	FRT	Ref No.	Part No.	Description	QTY	A/S	Exch	Start Date	End Date	Start FRM.No	End FRM.No
LIGHT ASS'Y, TAIL	0.3	1	33700-BA4-0000-M1	LIGHT ASS'Y, TAIL	1	Y		20070425	20110630	KMYBA8BLS7C000001	KMYBA8BLS7C000001
· LENS, TAIL LIGHT	0.1	2	33701-BA4-0000	LENS, TAIL LIGHT	1	Y		20070425	20110630	KMYBA8BLS7C000001	KMYBA8BLS7C000001
· SOCKET COMP., TAIL LIGHT		3	33702-BA4-0000	BASE, TAIL LIGHT	1	N		20070425	20110630	KMYBA8BLS7C000001	KMYBA8BLS7C000001
· BASE, TAIL LIGHT	0.3	4	33703-BA4-0000	SOCKET COMP., TAIL LIGHT	1	N		20070425	20110630	KMYBA8BLS7C000001	KMYBA8BLS7C000001
BULB, TAIL & STOP	0.1	5	34906-BA7-RB00	BULB, TAIL & STOP(12V 21W/5W)	1	Y		20070425	20110630	KMYBA8BLS7C000001	KMYBA8BLS7C000001
		6	64212-X10-0000	RUBBER, FR.COWL MOUNT	2	N		20070425		KMYBA8BLS7C000001	
		7	64213-X10-0000	COLLAR, FR.COWL SETTING	2	N		20070425		KMYBA8BLS7C000001	
		8	S3901-24580	SCREW, TAPPING, 4x20	2	N		20070425	20110630	KMYBA8BLS7C000001	KMYBA8BLS7C000001
		9	S4050-06080	NUT, FLANGE, 6mm	2	Y		20070425		KMYBA8BLS7C000001	
		10	S5701-06025-08	BOLT, FLANGE, 6x25	2	N	Y	20070425	20100430	KMYBA8BLS7C000001	KMYBA8BLS7C000001
			S5701-06025-00	BOLT, FLANGE, 6x25	2	Y		20100501		KMYBA8BLS7C000001	KMYBA8BLS7C000001