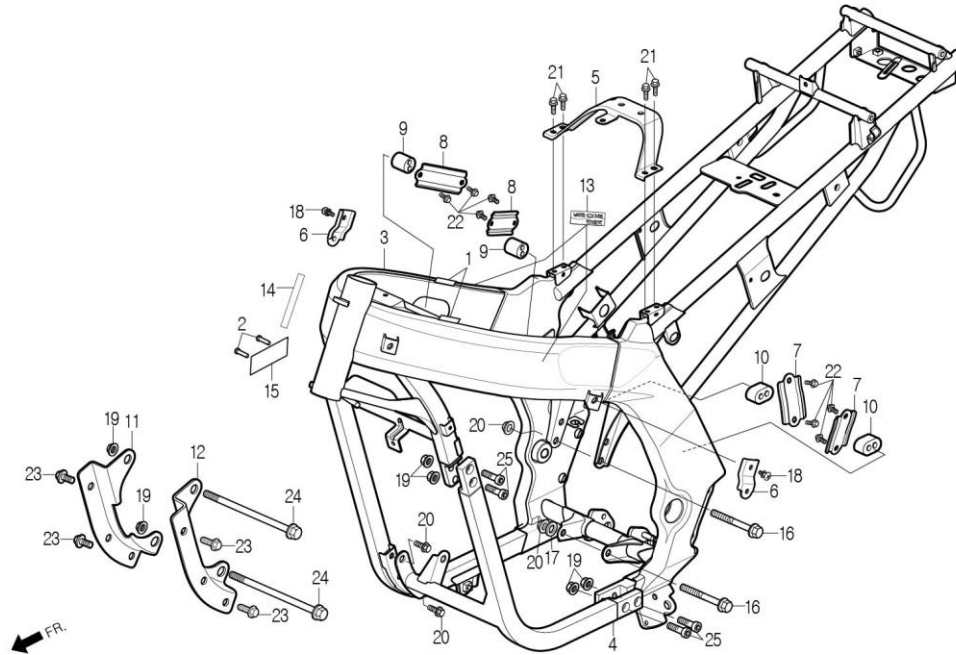


F-32

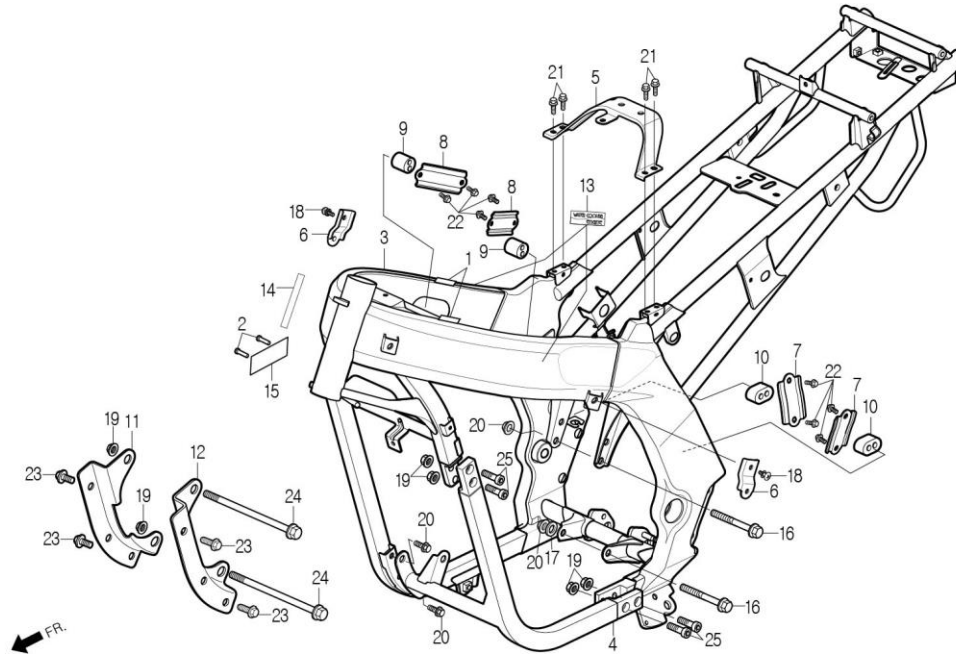
FRAME BODY



Service item	FRT	Ref No.	Part No.	Description	QTY	A/S	Exch	Start Date	End Date	Start FRM.No	End FRM.No
BODY COMP., FRAME	5.5	1	17509-BA4-0000	CUSHION RUBBER, FUEL TANK COVER	2	N		20070425		KMYBA8BLS7C000001	
		2	18323-BA7-RE00	RIVET, BLIND 3.2	2	Y		20070425		KMYBA8BLS7C000001	
		3	50100-BA8-0000	BODY COMP., FRAME	1	N		20070425	20110630	KMYBA8BLS7C000001	KMYBA8BLS7C000001
		4	50121-BA8-0000	TUBE COMP., B, LH.DOWN	1	Y		20070425		KMYBA8BLS7C000001	
		5	50136-BA4-0000	STAY COMP., FUEL TANK RR.	1	Y		20070425		KMYBA8BLS7C000001	
		6	50149-BA8-0000	BRACKET, SIDE COWL	2	Y		20070425		KMYBA8BLS7C000001	
		7	50182-BY0-0000	PLATE A, DAMPER RUBBER	2	Y		20070425		KMYBA8BLS7C000001	
		8	50183-BY0-0000	PLATE B, DAMPER RUBBER	2	Y		20070425		KMYBA8BLS7C000001	
		9	50215-BY0-0000	RUBBER A, DAMPER	2	Y		20070425		KMYBA8BLS7C000001	
		10	50216-BY0-0000	RUBBER B, DAMPER	2	Y		20070425		KMYBA8BLS7C000001	
		11	50351-BA8-0000	PLATE, RH.FR.ENGINE HANGER	1	Y		20070425		KMYBA8BLS7C000001	
		12	50352-BA8-0000	PLATE, LH.FR.ENGINE HANGER	1	Y		20070425		KMYBA8BLS7C000001	
		13	87178-BA8-RZ00-BK	MARK, WATER COOLING ENG.(BLACK)	2	Y		20070425	20110630	KMYBA8BLS7C000001	KMYBA8BLS7C000001
			87178-BA8-RZ00-SL	MARK, WATER COOLING ENG.(SILVER)	2	Y		20070425	20110630	KMYBA8BLS7C000001	KMYBA8BLS7C000001
		14	87508-BA5-RB00	TAPE,FRAME.NO.MASKING	1	N		20070425		KMYBA8BLS7C000001	
		15	87509-BA8-RZ00	DATA PLATE, MANUFACTURER'S	1	N		20070425		KMYBA8BLS7C000001	
		16	90019-BA5-0000	BOLT, FLANGE, 10x110	2	Y		20070425		KMYBA8BLS7C000001	
		17	90426-CB2-0000	WASHER, MAGNETO FIXING	1	Y		20070425		KMYBA8BLS7C000001	
		18	S3891-05010-18	SCREW, WASHER, 5x10	2	N	Y	20070425	20100430	KMYBA8BLS7C000001	KMYBA8BLS7C000001
			S3891-05010-10	SCREW, WASHER, 5x10	2	Y		20100501		KMYBA8BLS7C000001	KMYBA8BLS7C000001
		19	S4050-08080	NUT, FLANGE, 8mm	4	Y		20070425		KMYBA8BLS7C000001	

F-32

FRAME BODY



Service item	FRT	Ref No.	Part No.	Description	QTY	A/S	Exch	Start Date	End Date	Start FRM.No	End FRM.No
		20	S4050-10080	NUT, FLANGE, 10mm	4	Y		20070425		KMYBA8BLS7C000001	
		21	S5701-06010-08	BOLT, FLANGE, 6x10	4	N	Y	20070425	20100430	KMYBA8BLS7C000001	KMYBA8BLSAC003562
			S5701-06010-00	BOLT, FLANGE, 6x10	4	Y		20100501		KMYBA8BLSAC003563	
		22	S5701-06016-08	BOLT, FLANGE, 6x16	8	N	Y	20070425	20100430	KMYBA8BLS7C000001	KMYBA8BLSAC003562
			S5701-06016-00	BOLT, FLANGE, 6x16	8	Y		20100329		KMYBA8BLSAC003429	
		23	S5701-08012-08	BOLT, FLANGE, 8x12	4	N	Y	20070425	20100430	KMYBA8BLS7C000001	KMYBA8BLSAC003562
			S5701-08012-00	BOLT, FLANGE, 8x12	4	Y		20100501		KMYBA8BLSAC003563	
		24	S5801-10140-08	BOLT, FLANGE, 10x140	2	N	Y	20070425	20100430	KMYBA8BLS7C000001	KMYBA8BLSAC003562
			S5801-10140-00	BOLT, FLANGE, 10x140	2	Y		20100501		KMYBA8BLSAC003563	
		25	S6700-08025-00	BOLT, SOCKET, 8x25	4	Y		20070425		KMYBA8BLS7C000001	